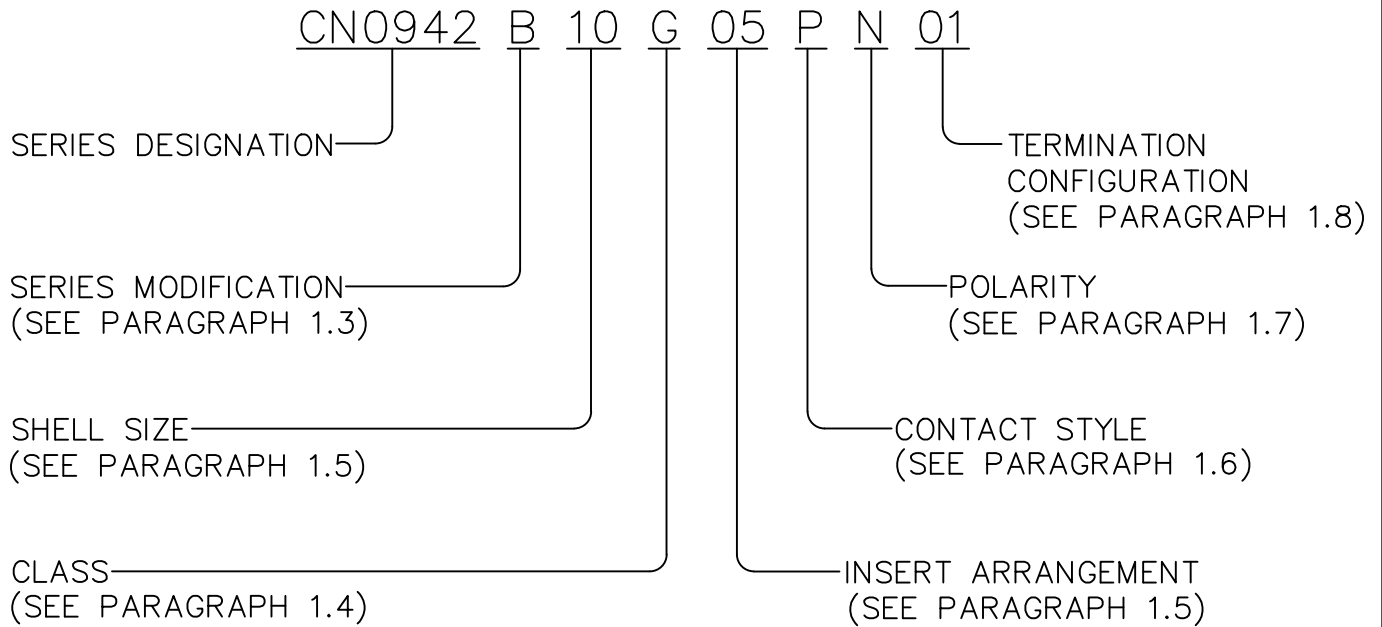


CONNECTOR, RECEPTACLE, ELECTRIC, FLANGE MOUNT
NON REMOVABLE CONTACTS, ENVIRONMENT RESISTANT

1. GENERAL

1.1 SCOPE THIS SPECIFICATION COVERS A SERIES OF RECEPTACLES THAT MATE WITH MIL-C-26500 BAYONET OR THREADED PLUGS. THIS CONNECTOR SERIES FEATURES SHORT SHELLS AND NON-REMOVABLE CONTACTS WITH SOLDER TAIL, SOLDER CUP, WIRE WRAP, OR EYELET TERMINATIONS.

1.2 PART NUMBER SYSTEM THE PART NUMBERS FOR CONNECTORS COVERED BY THIS SPECIFICATION CONSIST OF "CN0942" FOLLOWED BY A SERIES OF CHARACTERS AS SHOWN BELOW:



A PRINTED COPY OF THIS DOCUMENT
IS NOT UNDER REVISION CONTROL

REDRAWN

REV	E	F	G	H	J	K	L	M	N	P	R	T
ECN NO.	04R146	05R167	CO 306	CO 976	CO 1659	CO 2650	CO 2845	CO 3205	CO 3983	CO 4031	CO 4088	CCS11088
DATE	4-12-04	4-20-05	11/3/08	3/31/10	11/4/11	6/23/14	6/11/15	5/20/16	5/21/19	6/10/19	9/20/19	9/21/22
APPROVAL	MAR	S.M.	MR	BB	JT	JT	JT	JT	MH	MH	MH	NC
UNITS ENGLISH					AUTOCAD			Cinch			1700 FINLEY RD LOMBARD, IL. 60148	
DO NOT SCALE DRAWING			DRAWN BY M. RICHMOND			DATE 4-7-04		TITLE CONN, RCPT, ELEC, FLANGE MOUNT, FIXED CONTACTS, ENVIRONMENTAL RESISTANT				
UNLESS OTHERWISE SPECIFIED: DIMENSIONS ARE IN INCHES FILLET/RADII .02 MAX. TOLERANCES AND LIMITS APPLY OVER ADDITIVE FINISH			DESIGN ENGINEER S. MITRA			DATE 4-7-04		MATERIAL			CONTROL SPEC NUMBER	
			PRODUCT DESIGN APPROVAL M. RICHMOND			DATE 4-8-04		MATERIAL SPEC NUMBER		FINISH		PROJECT NUMBER
THIS DOCUMENT IS THE PROPERTY OF CINCH. NEITHER THIS DOCUMENT NOR ANY OF THE INFORMATION CONTAINED IN IT MAY BE DUPLICATED OR DISCLOSED WITHOUT PRIOR WRITTEN CONSENT OF CINCH.			MFG. ENGINEER P. WALTHALL			DATE 4-8-04		CAD FILE NUMBER CN0942B_N		DRAWING NUMBER CN0942B		
			QUALITY ENGINEER					CAGE IDENT NO. 71785		SIZE A		SCALE NONE SHEET 1 OF 28

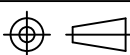
1.3 SERIES MODIFICATIONS THIS CODE COVERS MODIFICATIONS TO THE MOUNTING AND MATING GEOMETRY AS SHOWN IN TABLE 2. (SEE 6.1)

TABLE 2 SERIES MODIFICATIONS

CONNECTOR SERIES	MATING	MOUNTING	FIGURE	PARAGRAPH
CN0942B	BAYONET	SQUARE FLANGE, .062/.057 THICK	2	3.1.3.1
CN0942C	THREADED	SQUARE FLANGE, .062/.057 THICK	3	3.1.3.2
CN0942D	BAYONET	SINGLE HOLE MOUNT, .116/.107 THICK	4	3.1.3.3
CN0942E	THREADED	SINGLE HOLE MOUNT, .116/.107 THICK	5	3.1.3.4
CN0942F	BAYONET	SQUARE FLANGE, .062/.057 THICK, CLINCH NUTS	6	3.1.3.5
CN0942G	BAYONET	SQUARE FLANGE, .062/.057 THICK, MODIFIED SKIRT DIAMETER	7	3.1.3.6
CN0942H	BAYONET	SQUARE FLANGE, .130/.120 THICK, STEPPED FLANGE	8	3.1.3.7
CN0942J	BAYONET	SQUARE FLANGE, .072/.067 THICK, SELF-CLINCHING LOCKNUTS	9	3.1.3.8
CN0942S	THREADED	KNURLED MOUNT, INTERNAL O-RINGS	10	3.1.3.9
CN0942T	THREADED	KNURLED MOUNT	11	3.1.3.10
CN0942K	BAYONET	SAME AS B EXCEPT MULTIPLE KEYING	2	3.1.3.11
CN0942L	BAYONET	SQUARE FLANGE, .072/.067 THICK, MOUNTING HOLES FOR LOCKNUTS	12	3.1.3.12
CN0942M	BAYONET	SQUARE FLANGE, .072/.067 THICK, METRIC CLINCH NUTS W/ NYLON	13	3.1.3.13
CN0942N	BAYONET	SQUARE FLANGE, .072/.067 THICK, METRIC SELF-CLINCHING LOCKNUTS	14	3.1.3.14
CN0942P	THREADED	SQUARE FLANGE, .072/.067 THICK, CLINCH NUTS	15	3.1.3.15
CN0942R	BAYONET	SQUARE FLANGE, .130/.120 THICK, .290" STEPPED FLANGE	16	3.1.3.16
CN0942U	BAYONET	SQUARE FLANGE, .130/.120 THICK, .290" STEPPED FLANGE, FOUR FEET WITH M3 SPIRALOCK THREADS.	17	3.1.3.17

Cinch

1700 FINLEY RD
LOMBARD, IL. 60148



AUTOCAD DRAWING

TITLE

CONN, RCPT, ELEC, FLANGE MOUNT,
FIXED CONTACTS, ENVIRONMENTAL RESISTANT

CAD FILE NUMBER
CN0942B_N

CAGE IDENT NO.
71785

SIZE
A

DRAWING NUMBER
CN0942B

SCALE NONE SHEET 2 OF 28

REV
T

1.4 CLASS THIS CODE IDENTIFIES THE APPLICABLE CONNECTOR CLASS AS SHOWN IN TABLE 3.

TABLE 3 CONNECTOR CLASS

CLASS	SHELL MATERIAL	SHELL FINISH	RESILIENT INSERT
A	ALUMINUM	HARD ANODIZED, TYPE III	FLUOROSILICONE
E	ALUMINUM	IRRIDESCENT CADMIUM OVER ELECTROLESS NICKEL	FLUOROSILICONE
G	ALUMINUM	BRIGHT CADMIUM OVER ELECTROLESS NICKEL	FLUOROSILICONE
H	ALUMINUM	OLIVE DRAB CADMIUM OVER ELECTROLESS NICKEL	FLUOROSILICONE
J	ALUMINUM	ANODIZED, TYPE II	FLUOROSILICONE
N	ALUMINUM	ELECTROLESS NICKEL	FLUOROSILICONE
S	STAINLESS STEEL	PASSIVATED	FLUOROSILICONE

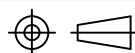
1.5 SHELL SIZE & INSERT ARRANGEMENTS SHELL SIZE AND INSERT ARRANGEMENTS SHALL BE IDENTIFIED WITH NUMBERS AS SPECIFIED IN MIL-STD-1554. SEE FIGURE 1 FOR INSERT ARRANGEMENTS NOT SHOWN IN MIL-STD-1554. SEE AVAILABLE SHELL SIZES AND INSERT ARRANGEMENTS IN TABLE 1.

TABLE 1 SHELL SIZES & INSERT ARRANGEMENTS

AVAILABLE SHELL SIZE & INSERT ARRANGEMENT					
08-02	12-12	16-10	20-16	22-19	24-43
08-03	14-03	16-24	20-25	22-32	24-57
10-02	14-04	18-08	20-28	22-39	24-61
10-05	14-07	18-11	20-39	22-55	28-42
10-20	14-12	18-14	20-41	24-29	
12-03	14-15	18-31	22-12	24-30	

Cinch

1700 FINLEY RD
LOMBARD, IL. 60148



AUTOCAD DRAWING

TITLE
CONN, RCPT, ELEC, FLANGE MOUNT,
FIXED CONTACTS, ENVIRONMENTAL RESISTANT

CAD FILE NUMBER
CN0942B_N

DRAWING NUMBER
CN0942B

REV
T

CAGE IDENT NO.
71785

SIZE
A

SCALE NONE SHEET 3 OF 28

1.6 CONTACT STYLE THIS CODE IDENTIFIES THE APPLICABLE CONTACT MATING AND TERMINATION STYLE AS SHOWN IN TABLE 4.

TABLE 4 CONTACT STYLE

STYLE	MATING	TERMINATION
P	PIN	PRINTED CIRCUIT SOLDER TAIL
S	SOCKET	PRINTED CIRCUIT SOLDER TAIL
X	PIN	SOLDER CUP
Y	SOCKET	SOLDER CUP
T	PIN	WIRE WRAP
W	SOCKET	WIRE WRAP
K	PIN	SOLDER EYELET
L	SOCKET	SOLDER EYELET

1.7 CONNECTOR POLARITY KEYWAY POSITIONS N, 6, 7, 8, 9, OR Y SHALL BE IN ACCORDANCE WITH MIL-STD-1554 FOR CORRESPONDING POLARITIES.

1.8 TERMINATION CONFIGURATION THIS CODE DEFINES THE TERMINATION DIMENSIONS AS WELL AS ANY SPECIAL PLATING OR GEOMETRY AS SHOWN IN TABLE 5.


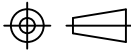
	1700 FINLEY RD LOMBARD, IL. 60148		AUTOCAD DRAWING		
			CAD FILE NUMBER CN0942B_N	DRAWING NUMBER CN0942B	REV T
TITLE CONN, RCPT, ELEC, FLANGE MOUNT, FIXED CONTACTS, ENVIRONMENTAL RESISTANT		CAGE IDENT NO. 71785	SIZE A	SCALE NONE	SHEET 4 OF 28

TABLE 5 TERMINATION CONFIGURATION

CODE	TAIL STYLE	ØB ±.002	SPECIAL FEATURES	TAIL LENGTH "A" ±.010 SHOWN BY CONNECTOR SERIES (TABLE 2)				
				B,C,F,G	D, E	H,R,U	J,L,M,N	S, T
01	SOLDER TAIL	Ø.025		.260	.270	.195	.250	.178
02	SOLDER CUP	N/A		.249	.259	.184	.239	.167
03	EYELET	N/A		.249	.259	.184	.239	.167
04	SOLDER CUP	N/A		.249	.259	.184	.239	.167
05	SOLDER TAIL	Ø.025		.590	.600	.525	.580	.508
06	WIRE WRAP	.025 SQUARE		.979	.989	.914	.969	.897
07	SOLDER TAIL	Ø.025		.332	.342	.267	.322	.250
08	SOLDER TAIL	Ø.025	COAX CONTACT IN #12 CONTACT LOCATIONS	.332	.342	.267	.322	.250
09	SOLDER TAIL	Ø.030		.330	.340	.265	.320	.248
10	SOLDER TAIL	Ø.025	Ø.142 ±.002 MOUNTING HOLES	.321	.331	.256	.311	.239
11	SOLDER CUP	N/A		.230	.240	.165	.220	.148
12	SOLDER TAIL	Ø.025		.791	.801	.726	.781	.709
13	SOLDER CUP	N/A	Ø.142 ±.002 MOUNTING HOLES	.229	.239	.164	.219	.147
14	SOLDER TAIL	Ø.041		.451	.461	.386	.441	.369
15	SOLDER TAIL	Ø.025		.470	.480	.405	.460	.388


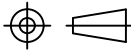
	1700 FINLEY RD LOMBARD, IL. 60148		AUTOCAD DRAWING		
			CAD FILE NUMBER CN0942B_N	DRAWING NUMBER CN0942B	REV T
TITLE CONN, RCPT, ELEC, FLANGE MOUNT, FIXED CONTACTS, ENVIRONMENTAL RESISTANT		CAGE IDENT NO. 71785	SIZE A	SCALE NONE	SHEET 5 OF 28

TABLE 5 TERMINATION CONFIGURATION (CONTINUED)

CODE	TAIL STYLE	ØB ±.002	SPECIAL FEATURES	TAIL LENGTH "A" ±.010 SHOWN BY CONNECTOR SERIES (TABLE 2)				
				B,C,F,G	D, E	H,R,U	J,L,M,N	S, T
16	SOLDER TAIL	Ø.025	#16 CONTACT - Ø.051 TAIL	.566	.576	.501	.556	.484
17	SOLDER TAIL	Ø.025		.606	.616	.541	.596	.524
18	SOLDER TAIL	Ø.025		.446	.456	.381	.436	.364
19	SOLDER TAIL	Ø.025		.267	.277	.202	.257	.185
20	SOLDER TAIL	STEPPED	Ø.030 FOR .060, THEN Ø.0625	.325	.335	.260	.315	.243
21	SOLDER TAIL	Ø.025	TINNED TAILS	.260	.270	.195	.250	.178
22	SOLDER TAIL	Ø.030		.165	.175	.100	.155	.083
23	SOLDER TAIL	Ø.025	TINNED TAILS	.282	.292	.217	.272	.200
24	WIRE WRAP	.025 SQUARE		.345	.355	.280	.335	.263
25	SOLDER TAIL	Ø.025		.551	.561	.486	.541	.469
26	SOLDER TAIL	Ø.025		.299	.309	.234	.289	.217
27	SOLDER CUP	N/A		.299	.309	.234	.289	.217
28	SOLDER TAIL	Ø.025	#16 CONTACT - Ø.051 TAIL TINNED TAILS	.352	.362	.287	.342	.270
29	SOLDER TAIL	Ø.025		.520	.530	.455	.510	.438
30	SOLDER TAIL	STEPPED	Ø.025 FOR .205, THEN Ø.050	.727	.737	.662	.717	.645


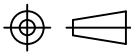

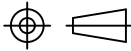
	1700 FINLEY RD LOMBARD, IL. 60148		AUTOCAD DRAWING		
			CAD FILE NUMBER CN0942B_N	DRAWING NUMBER CN0942B	REV T
TITLE CONN, RCPT, ELEC, FLANGE MOUNT, FIXED CONTACTS, ENVIRONMENTAL RESISTANT		CAGE IDENT NO. 71785	SIZE A	SCALE NONE	SHEET 6 OF 28

TABLE 5 TERMINATION CONFIGURATION (CONTINUED)

CODE	TAIL STYLE	ØB ±.002	SPECIAL FEATURES	TAIL LENGTH "A" ±.010 SHOWN BY CONNECTOR SERIES (TABLE 2)				
				B,C,F,G	D, E	H,R,U	J,L,M,N	S, T
31	SOLDER TAIL	Ø.030	#16 CONTACT - Ø.051 TAIL	.420	.430	.355	.410	.338
32	SOLDER TAIL	Ø.040		.264	.274	.199	.254	.182
33	SOLDER TAIL	Ø.025	#16 CONTACT = Ø.050 TAIL SHELL SIZE 14 ØFF = .898 +.005/-0.000 SHELL SIZE 14 M = 1.175 ±.005	.367	.377	.302	.357	.285
34	SOLDER TAIL	Ø.028		.359	.369	.294	.349	.277
35	SOLDER TAIL	Ø.028		.795	.805	.730	.785	.713
36	SOLDER TAIL	Ø.028		.780	.790	.715	.770	.698
37	SOLDER TAIL	Ø.028 ±.001		.565	.575	.500	.555	.483
38	SOLDER TAIL		#20 ØB .025 ±.002 #12 ØB .110 ±.002	.260	.270	.195	.250	.178
39	SOLDER TAIL	Ø.028		.625	.635	.560	.615	.543
40	-	-	RESERVED	-	-	-	-	-
41	SOLDER TAIL	Ø.025		.220	.230	.155	.210	.138
42	SOLDER TAIL	Ø.030	Ø.030 FOR .060, THEN Ø.0625	.406	.416	.341	.396	.324

	1700 FINLEY RD LOMBARD, IL. 60148		AUTOCAD DRAWING		
			CAD FILE NUMBER CN0942B_N	DRAWING NUMBER CN0942B	REV T
TITLE CONN, RCPT, ELEC, FLANGE MOUNT, FIXED CONTACTS, ENVIRONMENTAL RESISTANT		CAGE IDENT NO. 71785	SIZE A	SCALE NONE	SHEET 7 OF 28

3.0 REQUIREMENTS

3.1 DESIGN AND CONSTRUCTION THE DESIGN AND CONSTRUCTION OF THESE CONNECTORS SHALL COMPLY WITH MIL-C-26500, EXCEPT AS SPECIFIED HEREIN.

3.1.1 SHELL MATERIALS SHELL MATERIALS FOR CONNECTORS WITH ALUMINUM SHELLS SHALL COMPLY WITH CALSS R REQUIREMENTS OF MIL-C-26500. SHELL MATERIAL FOR STAINLESS STEEL CONNECTORS SHALL BE 300 SERIES STAINLESS STEEL.

3.1.2 FINISHES

3.1.2.1 SHELLS CONNECTOR SHELL FINISHES SHALL BE AS SHOWN BELOW:

CLASS A HARD ANODIZED IN ACCORDANCE WITH MIL-A-8625, TYPE III

CLASS E IRREDESSENT CHROMATE CONVERSION OF CADMIUM PLATING IN ACCORDANCE WITH QQ-P-416, .0003 TO .0005 THICK, OVER ELECTROLESS NICKEL PLATING IN ACCORDANCE WITH MIL-C-26074, CLASS 3, GRADE B.

CLASS G BRIGHT CHROMATE CONVERSION OF CADMIUM PLATING IN ACCORDANCE WITH QQ-P-416, .0003 TO .0005 THICK, OVER ELECTROLESS NICKEL PLATING IN ACCORDANCE WITH MIL-C-26074, CLASS 3, GRADE B.

CLASS H OLIVE DRAB CHROMATE CONVERSION OF CADMIUM PLATING IN ACCORDANCE WITH QQ-P-416, .0003 TO .0005 THICK, OVER ELECTROLESS NICKEL PLATING IN ACCORDANCE WITH MIL-C-26074, CLASS 3, GRADE B.


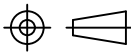
CLASS J ANODIZED IN ACCORDANCE WITH MIL-A-8625, TYPE II

CLASS N ELECTROLESS NICKEL PLATED IN ACCORDANCE WITH MIL-C-26074, CLASS 3, GRADE B.

CLASS S PASSIVATED IN ACCORDANCE WITH QQ-P-35.

3.1.2.2 CONTACTS CONTACT FINISH SHALL BE GOLD PLATED IN ACCORDANCE WITH MIL-G-45204, TYPE I or TYPE II, GRADE C, .000 050 MINIMUM THICK, OVER NICKEL PLATING IN ACCORDANCE WITH QQ-P-290, CLASS 2, OVER COPPER.

3.1.2.3 TINNED TAILS CONNECTORS WITH CONTACTS REQUIREING TINNED TAILS SHALL BE HOT TIN DIPPED USING Sn63/Pb37 IN ACCORDANCE WITH QQ-S-571. AFTER TIN DIPPING THE TAILS SHALL MEET THE SOLDERABILITY REQUIREMENTS OF MIL-STD-202, METHOD 208.

	1700 FINLEY RD LOMBARD, IL. 60148		AUTOCAD DRAWING		
			CAD FILE NUMBER CN0942B_N	DRAWING NUMBER CN0942B	REV T
TITLE CONN, RCPT, ELEC, FLANGE MOUNT, FIXED CONTACTS, ENVIRONMENTAL RESISTANT	CAGE IDENT NO. 71785	SIZE A	SCALE NONE	SHEET 8 OF 28	

3.1.3 DESIGN

3.1.3.1 CN0942B – SQUARE FLANGE MOUNT

THE DESIGN CONFIGURATION OF THE SQUARE FLANGE MOUNT, BAYONET COUPLED RECEPTACLE SHALL COMPLY WITH MS24264, TYPE B, EXCEPT AS DEFINED IN FIGURE 2.

3.1.3.2 CN0942C – SQUARE FLANGE MOUNT

THE DESIGN CONFIGURATION OF THE SQUARE FLANGE MOUNT, THREADED COUPLED RECEPTACLE SHALL COMPLY WITH MS24264, TYPE T, EXCEPT AS DEFINED IN FIGURE 3.

3.1.3.3 CN0942D – SINGLE HOLE MOUNT

THE DESIGN CONFIGURATION OF THE SINGLE HOLE MOUNT, BAYONET COUPLED RECEPTACLE SHALL COMPLY WITH MS24265, TYPE B, EXCEPT AS DEFINED IN FIGURE 4.

3.1.3.4 CN0942E – SINGLE HOLE MOUNT

THE DESIGN CONFIGURATION OF THE SINGLE HOLE MOUNT, THREADED COUPLED RECEPTACLE SHALL COMPLY WITH MS24265, TYPE T, EXCEPT AS DEFINED IN FIGURE 5.

3.1.3.5 CN0942F – SQUARE FLANGE MOUNT, CLINCH NUTS

THE DESIGN CONFIGURATION OF THE SQUARE FLANGE MOUNT, BAYONET COUPLED RECEPTACLE SHALL COMPLY WITH MS24264, TYPE B, EXCEPT AS DEFINED IN FIGURE 6.

3.1.3.6 CN0942G – SQUARE FLANGE MOUNT, MODIFIED SKIRT DIAMETER

THE DESIGN CONFIGURATION OF THE SQUARE FLANGE MOUNT, BAYONET COUPLED RECEPTACLE SHALL COMPLY WITH MS24264, TYPE B, EXCEPT AS DEFINED IN FIGURE 7.

3.1.3.7 CN0942H – SQUARE FLANGE MOUNT, STEPPED FLANGE

THE DESIGN CONFIGURATION OF THE SQUARE FLANGE MOUNT, BAYONET COUPLED RECEPTACLE SHALL COMPLY WITH MS24264, TYPE B, EXCEPT AS DEFINED IN FIGURE 8.

3.1.3.8 CN0942J – SQUARE FLANGE MOUNT, SELF-CLINCHING LOCKNUTS


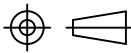
THE DESIGN CONFIGURATION OF THE SQUARE FLANGE MOUNT, BAYONET COUPLED RECEPTACLE SHALL COMPLY WITH MS24264, TYPE B, EXCEPT AS DEFINED IN FIGURE 9.

3.1.3.9 CN0942S – KNURLED MOUNT, INTERNAL O-RINGS


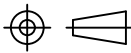
THE DESIGN CONFIGURATION OF THE KNURLED MOUNT, THREADED COUPLED RECEPTACLE SHALL COMPLY WITH MS24264, TYPE T, EXCEPT AS DEFINED IN FIGURE 10.

3.1.3.10 CN0942T – KNURLED MOUNT

THE DESIGN CONFIGURATION OF THE KNURLED MOUNT, THREADED COUPLED RECEPTACLE SHALL COMPLY WITH MS24264, TYPE T, EXCEPT AS DEFINED IN FIGURE 11.

	1700 FINLEY RD LOMBARD, IL. 60148			AUTOCAD DRAWING		
		CAD FILE NUMBER CN0942B_N		DRAWING NUMBER CN0942B		REV T
TITLE CONN, RCPT, ELEC, FLANGE MOUNT, FIXED CONTACTS, ENVIRONMENTAL RESISTANT		CAGE IDENT NO. 71785	SIZE A	SCALE NONE	SHEET 9 OF 28	

- 3.1.3.11 CN0942K – SQUARE FLANGE MOUNT – MULTIPLE KEYING
 THE DESIGN CONFIGURATION OF THE SQUARE FLANGE MOUNT, BAYONET COUPLED RECEPTACLE SHALL COMPLY WITH MS24264, TYPE B, EXCEPT AS DEFINED IN FIGURE 2 AND WITH MULTIPLE POLARITY KEYWAYS IN ONE PART.
- 3.1.3.12 CN0942L – SQUARE FLANGE MOUNT, MOUNTING HOLES FOR LOCKNUTS
 THE DESIGN CONFIGURATION OF THE SQUARE FLANGE MOUNT, BAYONET COUPLED RECEPTACLE SHALL COMPLY WITH MS24264, TYPE B, EXCEPT AS DEFINED IN FIGURE 12.
- 3.1.3.13 CN0942M – SQUARE FLANGE MOUNT, METRIC CLINCH NUTS W/ NYLON
 THE DESIGN CONFIGURATION OF THE SQUARE FLANGE MOUNT, BAYONET COUPLED RECEPTACLE SHALL COMPLY WITH MS24264, TYPE B, EXCEPT AS DEFINED IN FIGURE 13.
- 3.1.3.14 CN0942N – SQUARE FLANGE MOUNT, METRIC SELF-CLINCHING LOCKNUTS
 THE DESIGN CONFIGURATION OF THE SQUARE FLANGE MOUNT, BAYONET COUPLED RECEPTACLE SHALL COMPLY WITH MS24264, TYPE B, EXCEPT AS DEFINED IN FIGURE 14.
- 3.1.3.15 CN0942P – SQUARE FLANGE MOUNT, MOUNTING HOLES FOR LOCKNUTS.
 THE DESIGN CONFIGURATION OF THE SQUARE FLANGE MOUNT, THREADED COUPLED RECEPTACLE SHALL COMPLY WITH MS 24264, TYPE T, EXCEPT AS DEFINED IN FIGURE 15.
- 3.1.3.16 CN0942R – SQUARE FLANGE MOUNT, .290” STEPPED FLANGE
 THE DESIGN CONFIGURATION OF THE SQUARE FLANGE MOUNT, BAYONET COUPLED RECEPTACLE SHALL COMPLY WITH MS24264, TYPE B, EXCEPT AS DEFINED IN FIGURE 16.
- 3.1.3.17 CN0942U – SQUARE FLANGE MOUNT, .290” STEPPED FLANGE WITH M3 SPIRALOCK THREADS
 THE DESIGN CONFIGURATION OF THE SQUARE FLANGE MOUNT, BAYONET COUPLED RECEPTACLE SHALL COMPLY WITH MS24264, TYPE B, EXCEPT AS DEFINED IN FIGURE 17.
- 3.1.4 INSERT ARRANGEMENTS
 INSERT ARRANGEMENTS SHALL COMPLY WITH THE REQUIREMENTS SPECIFIED FOR MIL-C-26500 INSERTS IN MIL-STD-1554, EXCEPT FOR ARRANGEMENTS 24-29, 24-30, AND 28-42 WHICH SHALL COMPLY WITH FIGURE 1.
- 3.2 PART MARKING
 CONNECTORS SHALL BE MARKED WITH "CINCH", DATE CODE, AND CINCH PART NUMBER DEFINED IN PARAGRAPH 1.2.
- 3.3 PERFORMANCE
 CONNECTOR PERFORMANCE SHALL COMPLY WITH THE REQUIREMENTS FOR CLASS R RECEPTACLES SPECIFIED IN MIL-C-26500, EXCEPT WHERE DESIGN MODIFICATIONS ELIMINATE APPLICABLE FEATURES, SUCH AS REMOVABLE CONTACTS OR BACKSHELL THREADS.

	1700 FINLEY RD LOMBARD, IL. 60148			AUTOCAD DRAWING		
		CAD FILE NUMBER CN0942B_N		DRAWING NUMBER CN0942B		REV T
TITLE CONN, RCPT, ELEC, FLANGE MOUNT, FIXED CONTACTS, ENVIRONMENTAL RESISTANT		CAGE IDENT NO. 71785	SIZE A	SCALE NONE	SHEET 10 OF 28	

4.0 QUALITY ASSURANCE PROVISIONS

4.1 LOT ACCEPTANCE

LOT ACCEPTANCE INSPECTIONS AND TESTING SHALL COMPLY WITH THE REQUIREMENTS FOR CLASS R RECEPTACLES AS SPECIFIED IN MIL-C-26500.

5.0 DELIVERY PREPERATION

5.1 PACKAGING

PACKAGING SHALL MEET THE REQUIREMENTS OF MIL-C-55330.

6.0 NOTES

6.1 SERIES MODIFIERS


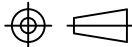
CONNECTOR SERIES CN0942- AND CN0942A ARE COVERED BY DRAWING CN0942.

6.2 ALTERNATE CONTACT PLATING

PART NUMBERS CONTAINING TERMINATION DESIGNATOR "RH" (RHODIUM PLATING) HAVE BEEN DISCONTINUED AND WILL BE REPLACED WITH AN APPROPRIATE NUMERICAL DESIGNATOR.

6.3 MARKING MODIFICATIONS

CONNECTOR PART NUMBERS WITH AN EXTRA LETTER AFTER THE TERMINATION CONFIGURATION CHARACTERS, SUCH AS A "B" OR "C" INDICATE SPECIAL MARKING. SEE THE BILL OF MATERIAL REMARKS FOR MARKING DEFINITION.

	1700 FINLEY RD LOMBARD, IL. 60148		AUTOCAD DRAWING		
			CAD FILE NUMBER CN0942B_N	DRAWING NUMBER CN0942B	REV T
TITLE CONN, RCPT, ELEC, FLANGE MOUNT, FIXED CONTACTS, ENVIRONMENTAL RESISTANT	CAGE IDENT NO. 71785	SIZE A	SCALE NONE	SHEET 11 OF 28	

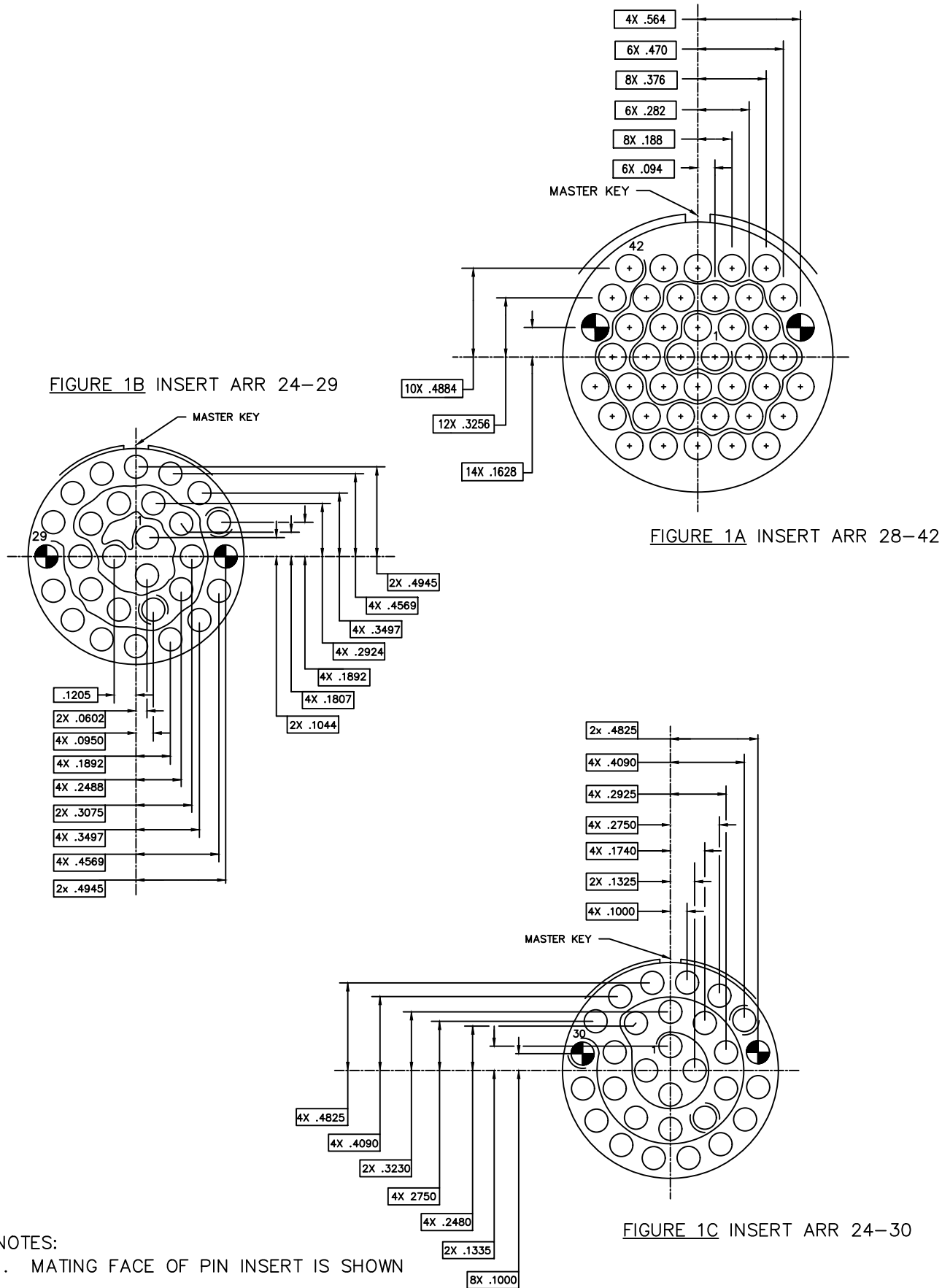


FIGURE 1B INSERT ARR 24-29

FIGURE 1A INSERT ARR 28-42

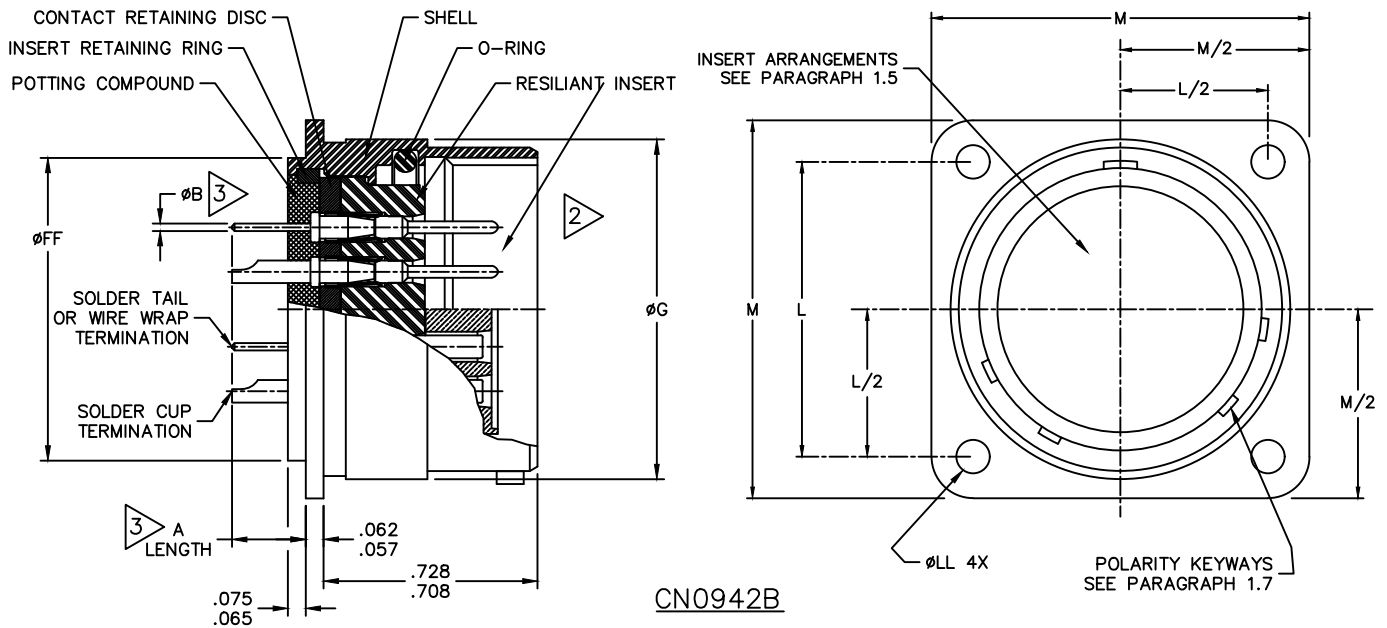
FIGURE 1C INSERT ARR 24-30

NOTES:

- 1. MATING FACE OF PIN INSERT IS SHOWN

FIGURE 1 INSERT ARRANGEMENTS NOT SHOWN IN MIL-STD-1554

	1700 FINLEY RD LOMBARD, IL. 60148			AUTOCAD DRAWING	
		CAD FILE NUMBER CN0942B_N	DRAWING NUMBER CN0942B	REV T	
TITLE CONN, RCPT, ELEC, FLANGE MOUNT, FIXED CONTACTS, ENVIRONMENTAL RESISTANT	CAGE IDENT NO. 71785	SIZE A	SCALE NONE	SHEET 12 OF 28	



SHELL SIZE	ϕG	L	ϕLL	M	ϕFF MAXIMUM	
					ANODIZED SHELLS	CONDUCTIVE SHELLS
8	.559	.599	.125 .117	.817	.437	.500
	.554	.589		.807		
10	.694	.724		.941	.562	.625
	.689	.714		.932		
12	.872	.817		1.035	.750	.750
	.865	.807		1.026		
14	.935	.911		1.129	.812	.875
	.930	.901		1.120		
16	1.060	.974		1.254	.938	1.000
	1.055	.964		1.245		
18	1.185	1.067	1.347	1.062	1.062	
	1.180	1.057	1.338			
20	1.310	1.161	1.441	1.187	1.187	
	1.305	1.151	1.432			
22	1.435	1.255	1.566	1.312	1.312	
	1.430	1.245	1.557			
24	1.560	1.380	.154 1.707	1.437	1.437	
	1.555	1.370	.146 1.698			
28	1.810	1.567	2.004	1.750	1.750	
	1.805	1.557	1.995			

NOTES:

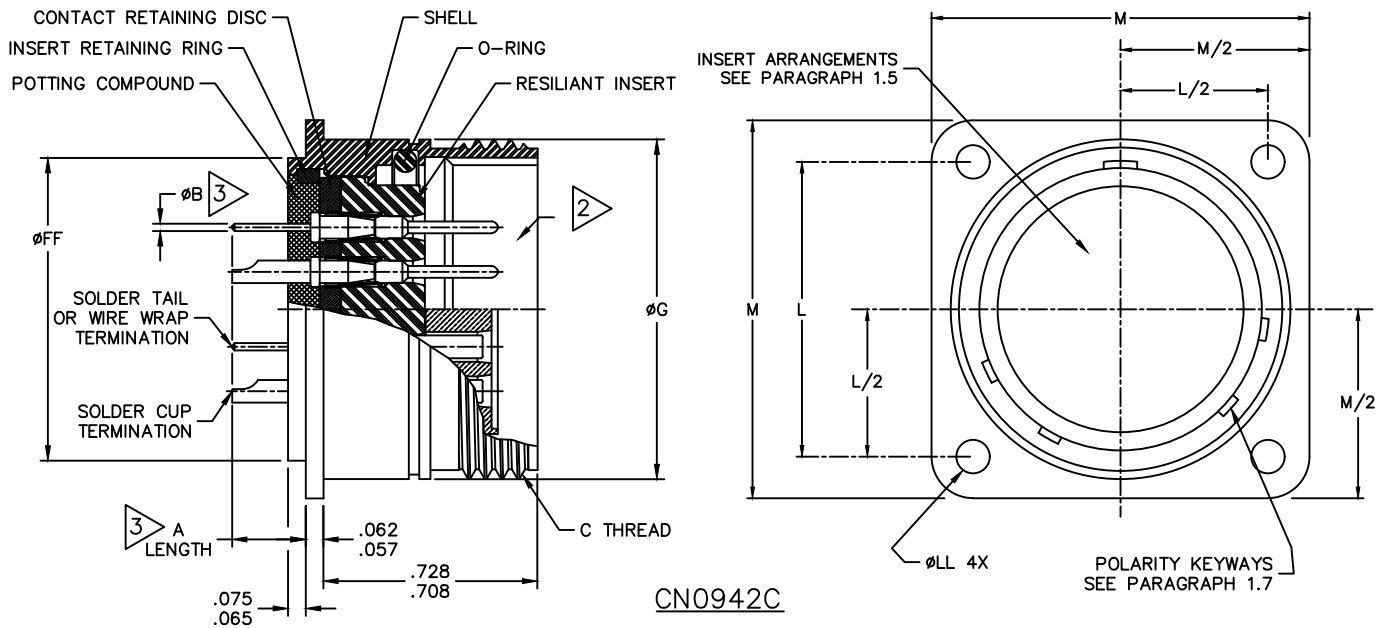
1. BOTH PIN AND SOCKET STYLES AND MULTIPLE TERMINATION STYLES ARE SHOWN FOR ILLUSTRATION PURPOSES. EACH CONNECTOR SHALL HAVE ONLY ONE CONTACT STYLE (PIN OR SOCKET) AND ONE TERMINATION STYLE.

2. MOUNTING AND INTERFACE DIMENSIONS SHALL BE AS SPECIFIED IN MS24264 FOR TYPE "B" CONNECTORS.

3. FOR TERMINATION STYLE AND DIMENSIONS SEE PARAGRAPH 1.8 AND TABLE 5.

FIGURE 2 – CN0942B
BAYONET COUPLED
SQUARE FLANGE MOUNT

	1700 FINLEY RD LOMBARD, IL. 60148			AUTOCAD DRAWING	
		CAD FILE NUMBER CN0942B_N	DRAWING NUMBER CN0942B	REV T	
TITLE CONN, RCPT, ELEC, FLANGE MOUNT FIXED CONTACTS, ENVIRONMENTAL RESISTANT		CAGE IDENT NO. 71785	SIZE A	SCALE NONE	SHEET 13 OF 28



SHELL SIZE	C THREAD	ϕG	L	ϕLL	M	ϕFF MAXIMUM	
						ANODIZED SHELLS	CONDUCTIVE SHELLS
8	.5625-24 UNEF-2A	.559 .554	.599 .589	.125 .117	.817	.437	.500
					.807		
10	.6875-24 UNEF-2A	.694 .689	.724 .714		.941	.562	.625
					.932		
12	.875-20 UNEF-2A	.872 .865	.817 .807		1.035	.750	.750
					1.026		
14	.9375-20 UNEF-2A	.935 .930	.911 .901		1.129	.812	.875
					1.120		
16	1.0625-18 UNEF-2A	1.060 1.055	.974 .964		1.254	.938	1.000
					1.245		
18	1.1875-18 UNEF-2A	1.185 1.180	1.067 1.057	1.347	1.062	1.062	
				1.338			
20	1.3125-18 UNEF-2A	1.310 1.305	1.161 1.151	1.441	1.187	1.187	
				1.432			
22	1.4375-18 UNEF-2A	1.435 1.430	1.255 1.245	1.566	1.312	1.312	
				1.557			
24	1.5625-18 UNEF-2A	1.560 1.555	1.380 1.370	1.707	1.437	1.437	
				1.698			
28	1.8125-16 UNEF-2A	1.810 1.805	1.567 1.557	.154	1.750	1.750	
				.146			2.004 1.995

NOTES:

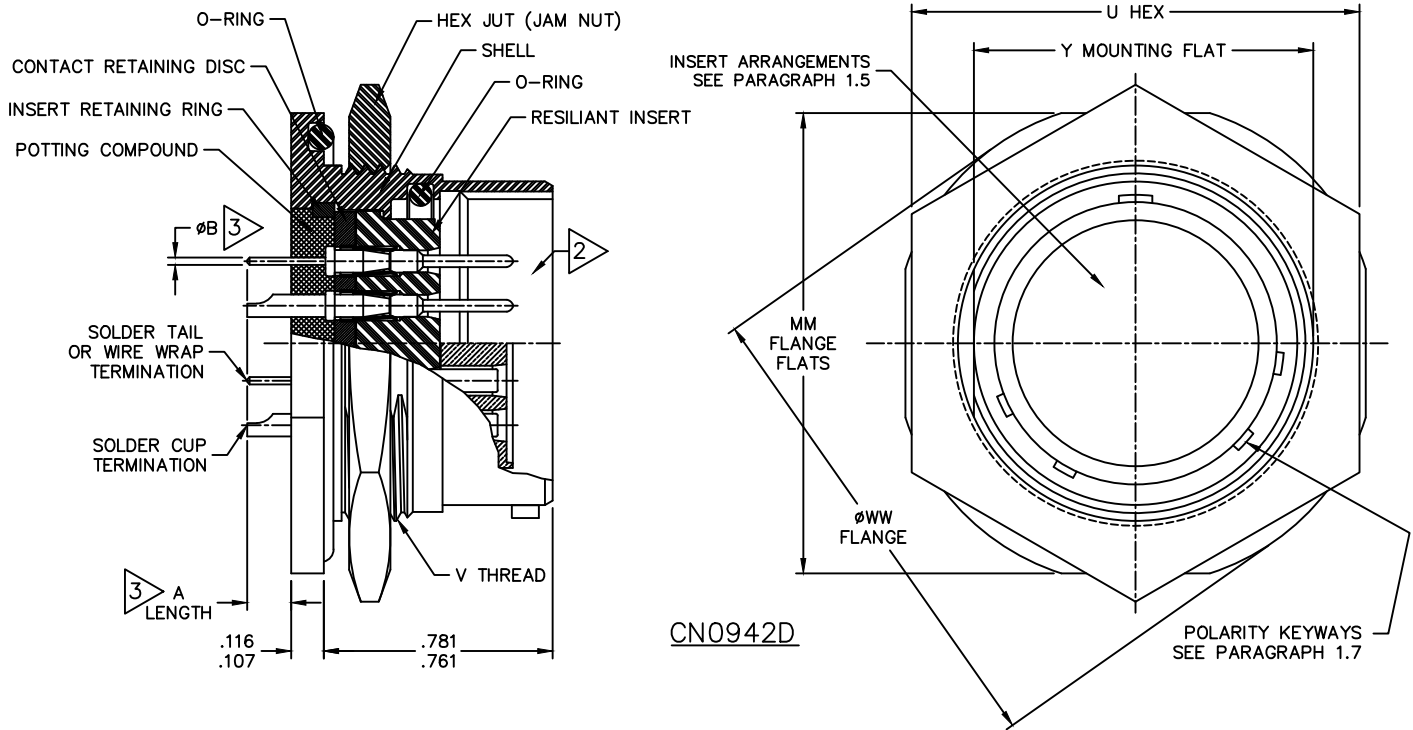
1. BOTH PIN AND SOCKET STYLES AND MULTIPLE TERMINATION STYLES ARE SHOWN FOR ILLUSTRATION PURPOSES. EACH CONNECTOR SHALL HAVE ONLY ONE CONTACT STYLE (PIN OR SOCKET) AND ONE TERMINATION STYLE.

2. MOUNTING AND INTERFACE DIMENSIONS SHALL BE AS SPECIFIED IN MS24264 FOR TYPE "T" CONNECTORS.

3. FOR TERMINATION STYLE AND DIMENSIONS SEE PARAGRAPH 1.8 AND TABLE 5.

FIGURE 3 - CN0942C
THREADED COUPLED
SQUARE FLANGE MOUNT

	1700 FINLEY RD LOMBARD, IL. 60148			AUTOCAD DRAWING		
		CAD FILE NUMBER CN0942B_N	DRAWING NUMBER CN0942B	REV T	CAGE IDENT NO. 71785	SIZE A
TITLE CONN, RCPT, ELEC, FLANGE MOUNT FIXED CONTACTS, ENVIRONMENTAL RESISTANT						



CN0942D

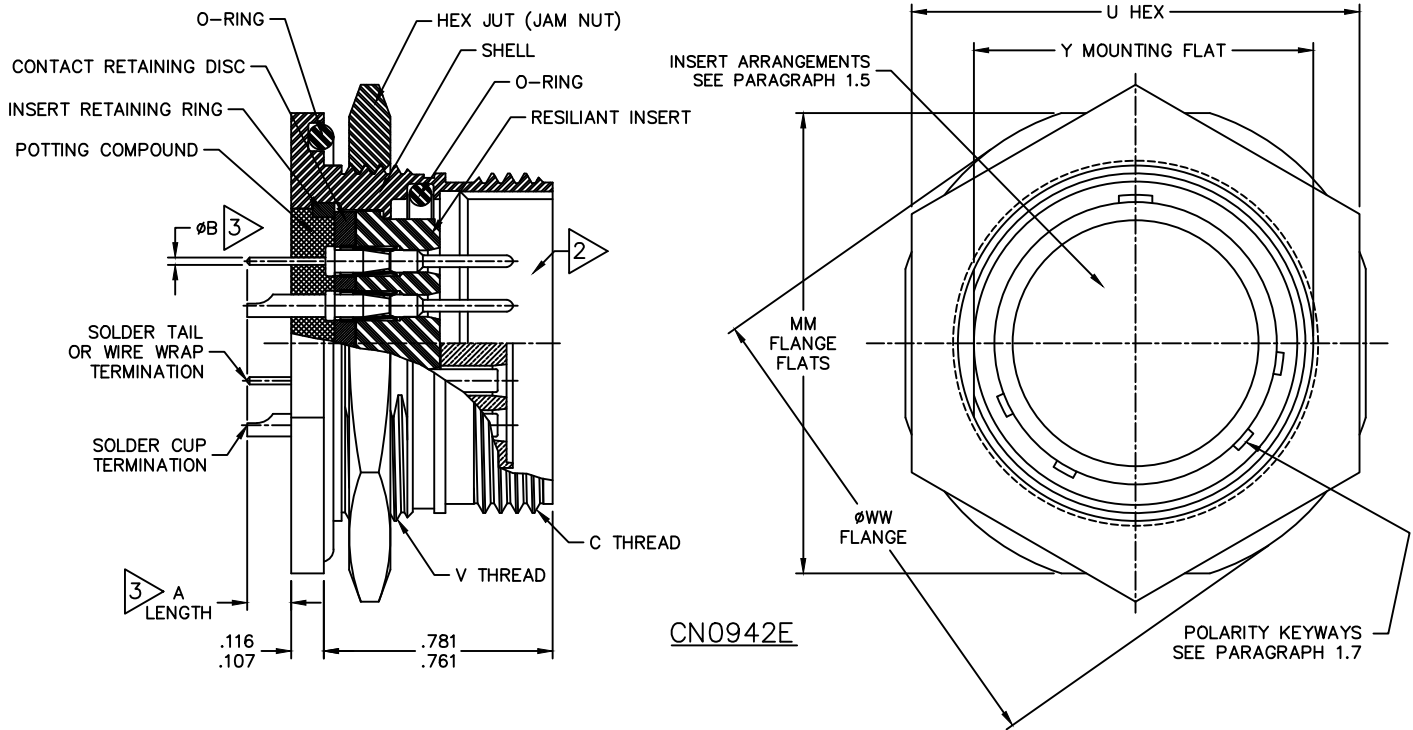
SHELL SIZE	MM	U HEX MAX	V THREAD	ØWW MAX	Y FLAT
8	.984	.828	.625-20 UNEF-2A	1.068	.596
	.974				.590
10	1.108	.953	.750-20 UNEF-2A	1.192	.720
	1.099				.715
12	1.295	1.140	.9375-20 UNEF-2A	1.380	.907
	1.286				.902
14	1.395	1.250	1.000-20 UNEF-2A	1.505	.970
	1.386				.965
16	1.520	1.329	1.125-20 UNEF-2A	1.630	1.095
	1.511				1.090
18	1.645	1.455	1.250-20 UNEF-2A	1.740	1.219
	1.636				1.241
20	1.770	1.642	1.375-18 UNEF-2A	1.860	1.344
	1.761				1.339
22	1.959	1.705	1.500-20 UNEF-2A	2.040	1.469
	1.949				1.464
24	2.083	1.892	1.625-18 UNEF-2A	2.160	1.594
	2.074				1.589
28	2.328	2.084	1.875-20 UNEF-2A	2.411	1.850
	2.319				1.845

NOTES:

- BOTH PIN AND SOCKET STYLES AND MULTIPLE TERMINATION STYLES ARE SHOWN FOR ILLUSTRATION PURPOSES. EACH CONNECTOR SHALL HAVE ONLY ONE CONTACT STYLE (PIN OR SOCKET) AND ONE TERMINATION STYLE.
- MOUNTING AND INTERFACE DIMENSIONS SHALL BE AS SPECIFIED IN MS24265 FOR TYPE "B" CONNECTORS.
- FOR TERMINATION STYLE AND DIMENSIONS SEE PARAGRAPH 1.8 AND TABLE 5.

FIGURE 4 - CN0942D
BAYONET COUPLED
SINGLE HOLE MOUNT

	1700 FINLEY RD LOMBARD, IL. 60148			AUTOCAD DRAWING	
		CAD FILE NUMBER CN0942B_N	DRAWING NUMBER CN0942B	REV T	
TITLE CONN, RCPT, ELEC, FLANGE MOUNT FIXED CONTACTS, ENVIRONMENTAL RESISTANT		CAGE IDENT NO. 71785	SIZE A	SCALE NONE	SHEET 15 OF 28



SHELL SIZE	C THREAD	MM	U HEX MAX	V THREAD	ØWW MAX	Y FLAT
8	.5625-24 UNEF-2A	.984 .974	.828	.625-20 UNEF-2A	1.068	.596 .590
10	.6875-24 UNEF-2A	1.108 1.099	.953	.750-20 UNEF-2A	1.192	.720 .715
12	.875-20 UNEF-2A	1.295 1.286	1.140	.9375-20 UNEF-2A	1.380	.907 .902
14	.9375-20 UNEF-2A	1.395 1.386	1.250	1.000-20 UNEF-2A	1.505	.970 .965
16	1.0625-18 UNEF-2A	1.520 1.511	1.329	1.125-20 UNEF-2A	1.630	1.095 1.090
18	1.1875-18 UNEF-2A	1.645 1.636	1.455	1.250-20 UNEF-2A	1.740	1.219 1.241
20	1.3125-18 UNEF-2A	1.770 1.761	1.642	1.375-18 UNEF-2A	1.860	1.344 1.339
22	1.4375-18 UNEF-2A	1.959 1.949	1.705	1.500-20 UNEF-2A	2.040	1.469 1.464
24	1.5625-18 UNEF-2A	2.083 2.074	1.892	1.625-18 UNEF-2A	2.160	1.594 1.589
28	1.8125-16 UNEF-2A	2.328 2.319	2.084	1.875-20 UNEF-2A	2.411	1.850 1.845

NOTES:

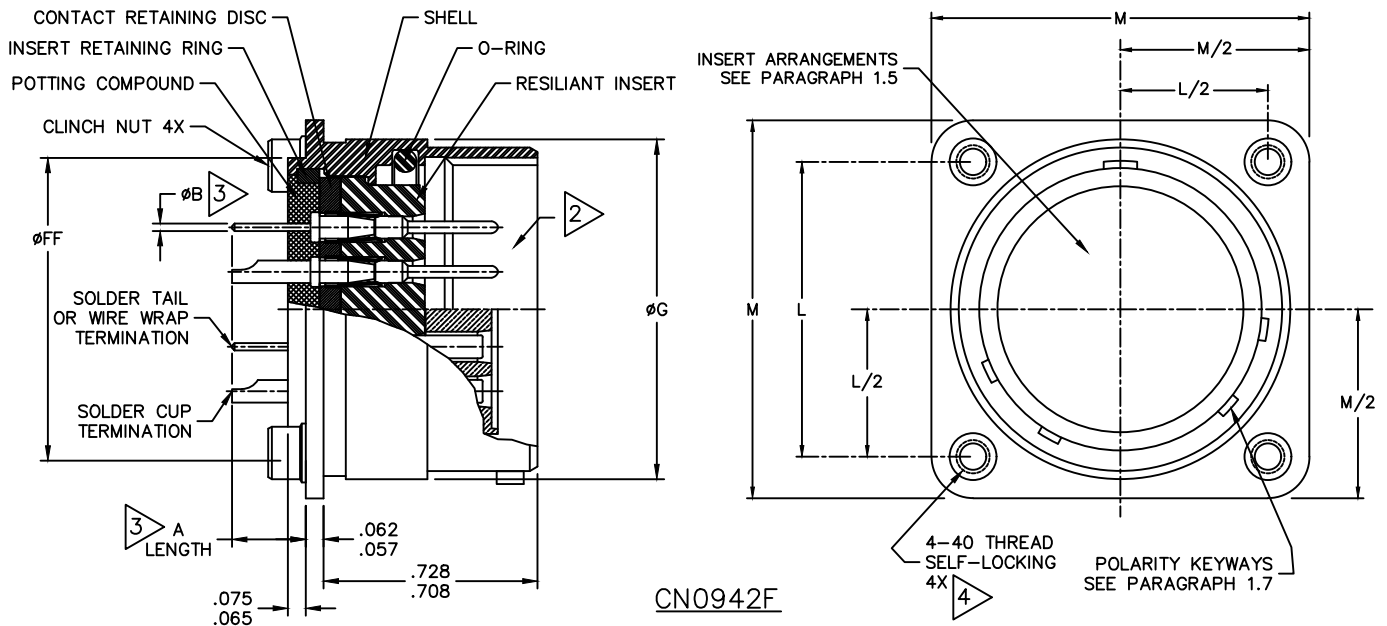
1. BOTH PIN AND SOCKET STYLES AND MULTIPLE TERMINATION STYLES ARE SHOWN FOR ILLUSTRATION PURPOSES. EACH CONNECTOR SHALL HAVE ONLY ONE CONTACT STYLE (PIN OR SOCKET) AND ONE TERMINATION STYLE.

2. MOUNTING AND INTERFACE DIMENSIONS SHALL BE AS SPECIFIED IN MS24265 FOR TYPE "T" CONNECTORS.

3. FOR TERMINATION STYLE AND DIMENSIONS SEE PARAGRAPH 1.8 AND TABLE 5.

FIGURE 5 - CN0942E
THREADED COUPLED
SINGLE HOLE MOUNT

	1700 FINLEY RD LOMBARD, IL. 60148			AUTOCAD DRAWING	
		CAD FILE NUMBER CN0942B_N	DRAWING NUMBER CN0942B	REV T	
TITLE CONN, RCPT, ELEC, FLANGE MOUNT FIXED CONTACTS, ENVIRONMENTAL RESISTANT	CAGE IDENT NO. 71785	SIZE A	SCALE NONE	SHEET 16 OF 28	



CN0942F

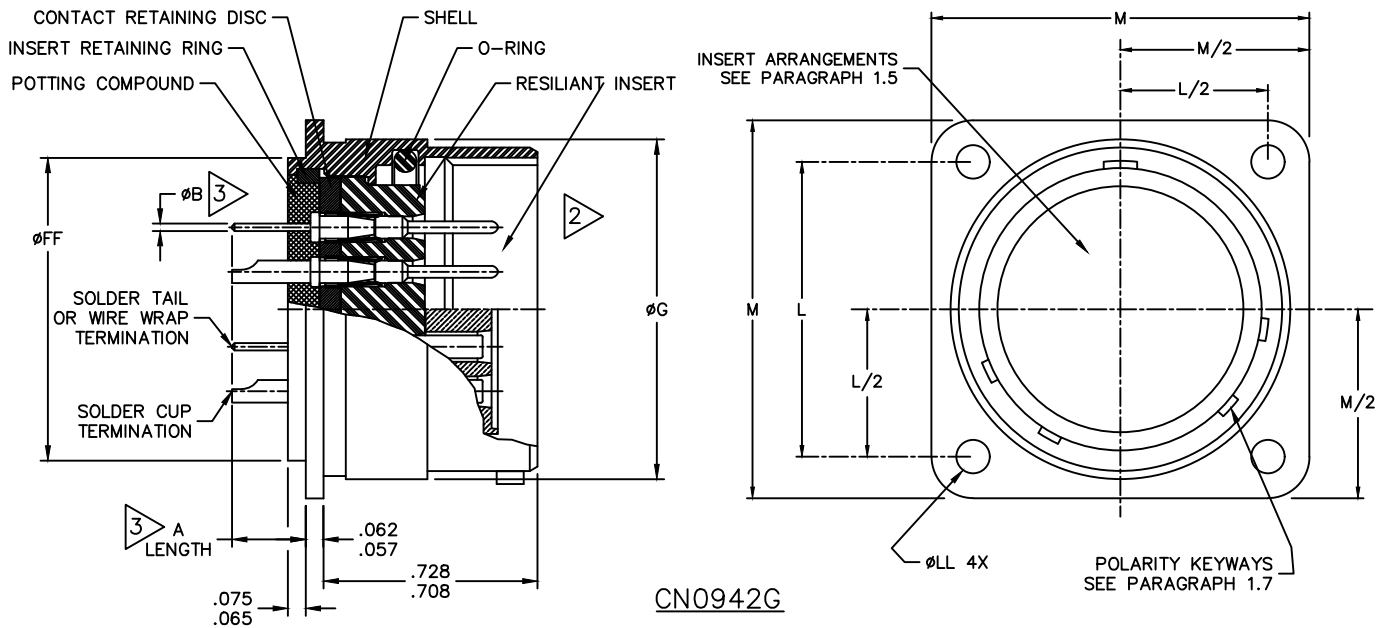
SHELL SIZE	øG	L	M	øFF MAXIMUM	
				ANODIZED SHELLS	CONDUCTIVE SHELLS
8	.559	.599	.817	.437	.500
	.554	.589	.807		
10	.694	.724	.941	.562	.625
	.689	.714	.932		
12	.872	.817	1.035	.750	.750
	.865	.807	1.026		
14	.935	.911	1.129	.812	.875
	.930	.901	1.120		
16	1.060	.974	1.254	.938	1.000
	1.055	.964	1.245		
18	1.185	1.067	1.347	1.062	1.062
	1.180	1.057	1.338		
20	1.310	1.161	1.441	1.187	1.187
	1.305	1.151	1.432		
22	1.435	1.255	1.566	1.312	1.312
	1.430	1.245	1.557		
24	1.560	1.380	1.707	1.437	1.437
	1.555	1.370	1.698		
28	1.810	1.567	2.004	1.750	1.750
	1.805	1.557	1.995		

NOTES:

- BOTH PIN AND SOCKET STYLES AND MULTIPLE TERMINATION STYLES ARE SHOWN FOR ILLUSTRATION PURPOSES. EACH CONNECTOR SHALL HAVE ONLY ONE CONTACT STYLE (PIN OR SOCKET) AND ONE TERMINATION STYLE.
- MOUNTING AND INTERFACE DIMENSIONS SHALL BE AS SPECIFIED IN MS24264 FOR TYPE "B" CONNECTORS.
- FOR TERMINATION STYLE AND DIMENSIONS SEE PARAGRAPH 1.8 AND TABLE 5.
- CLINCH NUT MUST WITHSTAND 5 IN-LBS TORQUE WITHOUT LOOSENING.

FIGURE 6 - CN0942F
BAYONET COUPLED
SQUARE FLANGE MOUNT, WITH CLINCH NUTS

	1700 FINLEY RD LOMBARD, IL. 60148			AUTOCAD DRAWING	
		CAD FILE NUMBER CN0942B_N	DRAWING NUMBER CN0942B	REV T	
TITLE CONN, RCPT, ELEC, FLANGE MOUNT FIXED CONTACTS, ENVIRONMENTAL RESISTANT		CAGE IDENT NO. 71785	SIZE A	SCALE NONE	SHEET 17 OF 28



CN0942G

SHELL SIZE	ϕG	L	ϕLL	M	ϕFF MAXIMUM
					ALL SHELLS
8	.559	.599	.125 .117	.817	.437
	.554	.589		.807	
10	.694	.724		.941	.562
	.689	.714		.932	
12	.872	.817		1.035	.750
	.865	.807		1.026	
14	.935	.911		1.129	.812
	.930	.901		1.120	
16	1.060	.974		1.254	.938
	1.055	.964		1.245	
18	1.185	1.067		1.347	1.062
	1.180	1.057		1.338	
20	1.310	1.161	1.441	1.187	
	1.305	1.151	1.432		
22	1.435	1.255	1.566	1.312	
	1.430	1.245	1.557		
24	1.560	1.380	.154 1.707	1.437	
	1.555	1.370	.146 1.698		
28	1.810	1.567	2.004	1.750	
	1.805	1.557	1.995		

NOTES:

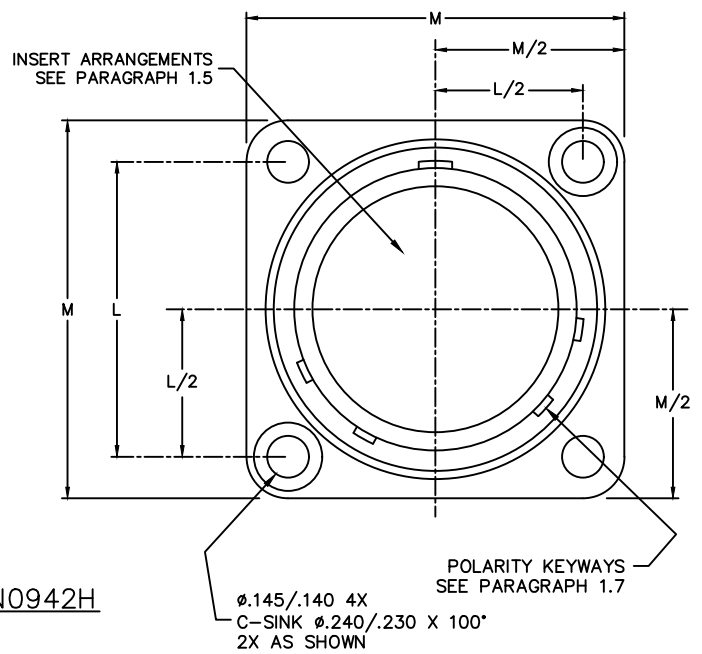
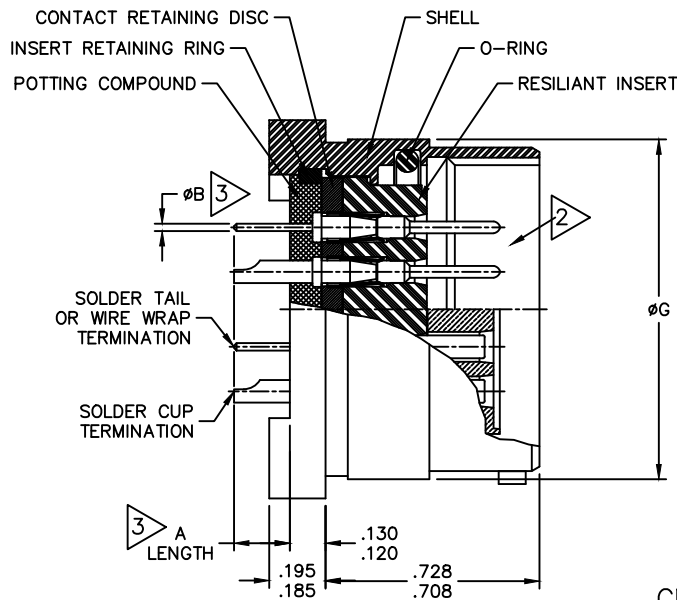
1. BOTH PIN AND SOCKET STYLES AND MULTIPLE TERMINATION STYLES ARE SHOWN FOR ILLUSTRATION PURPOSES. EACH CONNECTOR SHALL HAVE ONLY ONE CONTACT STYLE (PIN OR SOCKET) AND ONE TERMINATION STYLE.

2. MOUNTING AND INTERFACE DIMENSIONS SHALL BE AS SPECIFIED IN MS24264 FOR TYPE "B" CONNECTORS.

3. FOR TERMINATION STYLE AND DIMENSIONS SEE PARAGRAPH 1.8 AND TABLE 5.

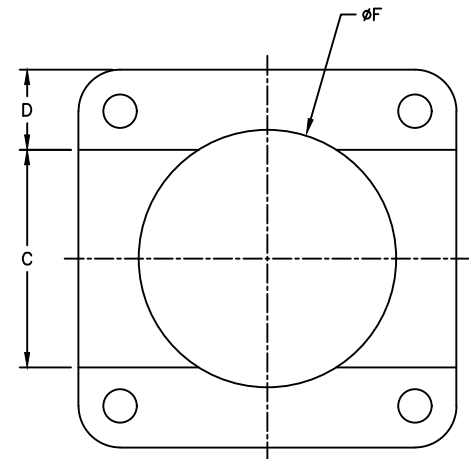
FIGURE 7 – CN0942G
BAYONET COUPLED
SQUARE FLANGE MOUNT, MODIFIED SKIRT DIAMETER

	1700 FINLEY RD LOMBARD, IL. 60148			AUTOCAD DRAWING	
		CAD FILE NUMBER CN0942B_N	DRAWING NUMBER CN0942B	REV T	
TITLE CONN, RCPT, ELEC, FLANGE MOUNT FIXED CONTACTS, ENVIRONMENTAL RESISTANT		CAGE IDENT NO. 71785	SIZE A	SCALE NONE	SHEET 18 OF 28



CN0942H

SHELL SIZE	C	D (REF)	ϕF	ϕG	L	M
8	.325 .315	.246	.386 .376	.559 .554	.599 .589	.817 .807
10	.435 .425	.253	.464 .454	.694 .689	.724 .714	.941 .932
12	.569 .559	.233	.641 .631	.872 .865	.817 .807	1.035 1.026
14	.637 .627	.246	.703 .693	.935 .930	.911 .901	1.129 1.120
16	.769 .759	.243	.828 .818	1.060 1.055	.974 .964	1.254 1.245
18	.775 .765	.286	.945 .935	1.185 1.180	1.067 1.057	1.347 1.338
20	.916 .906	.265	1.071 1.061	1.310 1.305	1.161 1.151	1.441 1.432
22	1.005 .995	.281	1.199 1.189	1.435 1.430	1.255 1.245	1.566 1.557
24	1.155 1.145	.276	1.324 1.314	1.560 1.555	1.380 1.370	1.707 1.698
28	1.232 1.222	.386	1.571 1.561	1.810 1.805	1.567 1.557	2.004 1.995



REAR VIEW

NOTES:

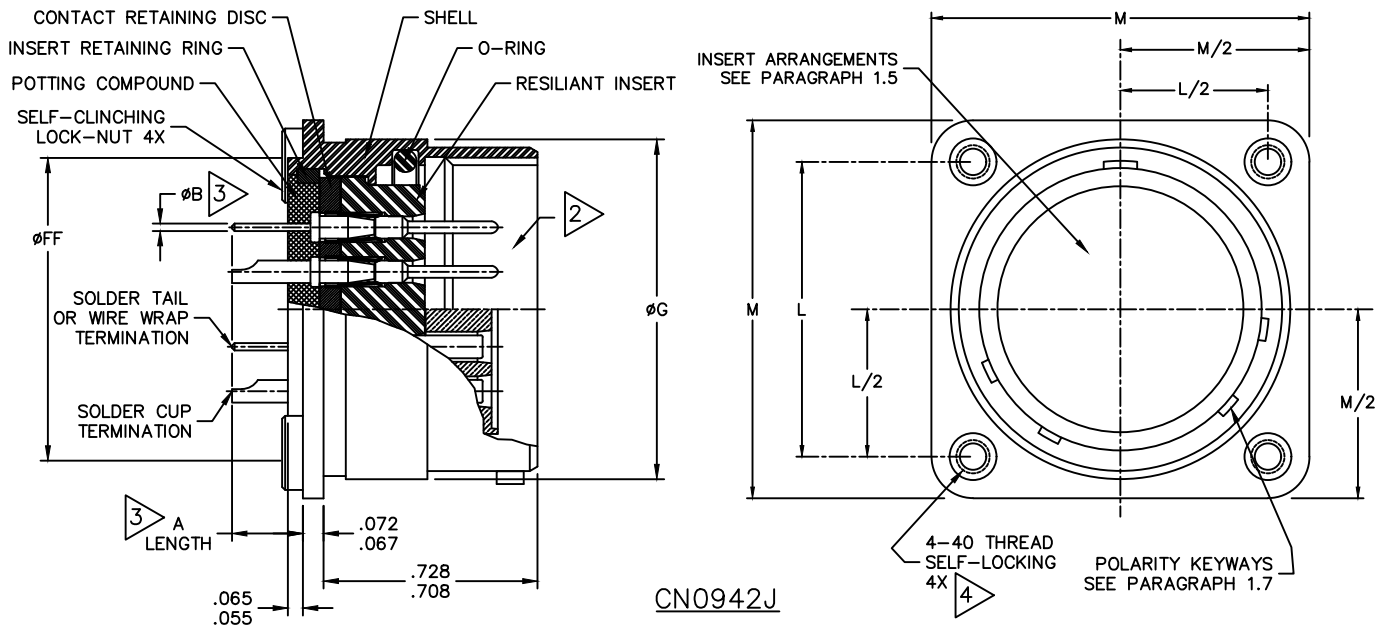
1. BOTH PIN AND SOCKET STYLES AND MULTIPLE TERMINATION STYLES ARE SHOWN FOR ILLUSTRATION PURPOSES. EACH CONNECTOR SHALL HAVE ONLY ONE CONTACT STYLE (PIN OR SOCKET) AND ONE TERMINATION STYLE.

2. MOUNTING AND INTERFACE DIMENSIONS SHALL BE AS SPECIFIED IN MS24264 FOR TYPE "B" CONNECTORS.

3. FOR TERMINATION STYLE AND DIMENSIONS SEE PARAGRAPH 1.8 AND TABLE 5.

FIGURE 8 – CN0942H
BAYONET COUPLED
SQUARE FLANGE MOUNT, STEPPED FLANGE

	1700 FINLEY RD LOMBARD, IL. 60148			AUTOCAD DRAWING	
		CAD FILE NUMBER CN0942B_N	DRAWING NUMBER CN0942B	REV T	
TITLE CONN, RCPT, ELEC, FLANGE MOUNT FIXED CONTACTS, ENVIRONMENTAL RESISTANT		CAGE IDENT NO. 71785	SIZE A	SCALE NONE	SHEET 19 OF 28



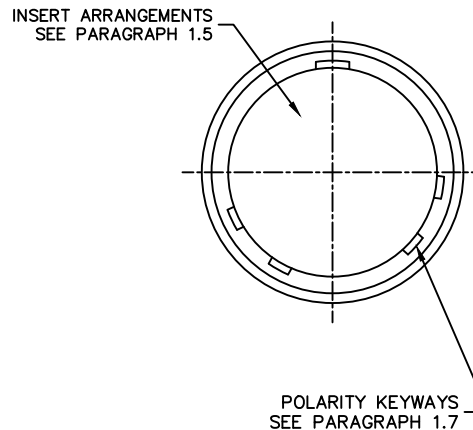
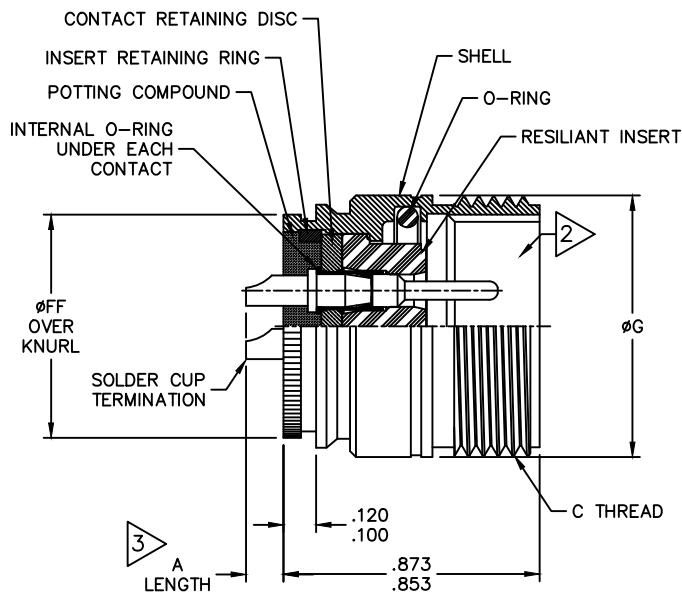
SHELL SIZE	ϕG	L	M	ϕFF MAXIMUM	
				ANODIZED SHELLS	CONDUCTIVE SHELLS
8	.559	.599	.817	.437	.500
	.554	.589	.807		
10	.694	.724	.941	.562	.625
	.689	.714	.932		
12	.872	.817	1.035	.750	.750
	.865	.807	1.026		
14	.935	.911	1.129	.812	.875
	.930	.901	1.120		
16	1.060	.974	1.254	.938	1.000
	1.055	.964	1.245		
18	1.185	1.067	1.347	1.062	1.062
	1.180	1.057	1.338		
20	1.310	1.161	1.441	1.187	1.187
	1.305	1.151	1.432		
22	1.435	1.255	1.566	1.312	1.312
	1.430	1.245	1.557		
24	1.560	1.380	1.707	1.437	1.437
	1.555	1.370	1.698		
28	1.810	1.567	2.004	1.750	1.750
	1.805	1.557	1.995		

NOTES:

- BOTH PIN AND SOCKET STYLES AND MULTIPLE TERMINATION STYLES ARE SHOWN FOR ILLUSTRATION PURPOSES. EACH CONNECTOR SHALL HAVE ONLY ONE CONTACT STYLE (PIN OR SOCKET) AND ONE TERMINATION STYLE.
- MOUNTING AND INTERFACE DIMENSIONS SHALL BE AS SPECIFIED IN MS24264 FOR TYPE "B" CONNECTORS.
- FOR TERMINATION STYLE AND DIMENSIONS SEE PARAGRAPH 1.8 AND TABLE 5.
- CLINCH NUT MUST WITHSTAND 5 IN-LBS OF TORQUE WITHOUT LOOSENING.

FIGURE 9 – CN0942J
BAYONET COUPLED
SQUARE FLANGE MOUNT, WITH SELF-CLINCHING LOCK-NUTS

	1700 FINLEY RD LOMBARD, IL. 60148			AUTOCAD DRAWING		
		CAD FILE NUMBER CN0942B_N	DRAWING NUMBER CN0942B	REV T	CAGE IDENT NO. 71785	SIZE A
TITLE CONN, RCPT, ELEC, FLANGE MOUNT FIXED CONTACTS, ENVIRONMENTAL RESISTANT						



CN0942S

SHELL SIZE	C THREAD	ØG	ØFF
8	.5625-24 UNEF-2A	.559 .554	.442 .437
10	.6875-24 UNEF-2A	.694 .689	.567 .562
12	.875-20 UNEF-2A	.872 .865	.755 .750
14	.9375-20 UNEF-2A	.935 .930	.817 .812
16	1.0625-18 UNEF-2A	1.060 1.055	.943 .938
18	1.1875-18 UNEF-2A	1.185 1.180	1.067 1.062
20	1.3125-18 UNEF-2A	1.310 1.305	1.187 1.182
22	1.4375-18 UNEF-2A	1.435 1.430	1.317 1.312
24	1.5625-18 UNEF-2A	1.560 1.555	1.437 1.432
28	1.8125-16 UNEF-2A	1.810 1.805	1.755 1.750

NOTES:

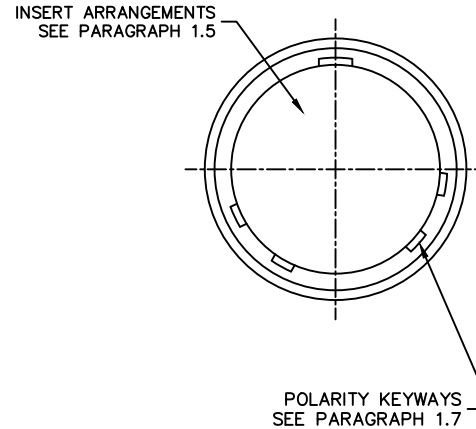
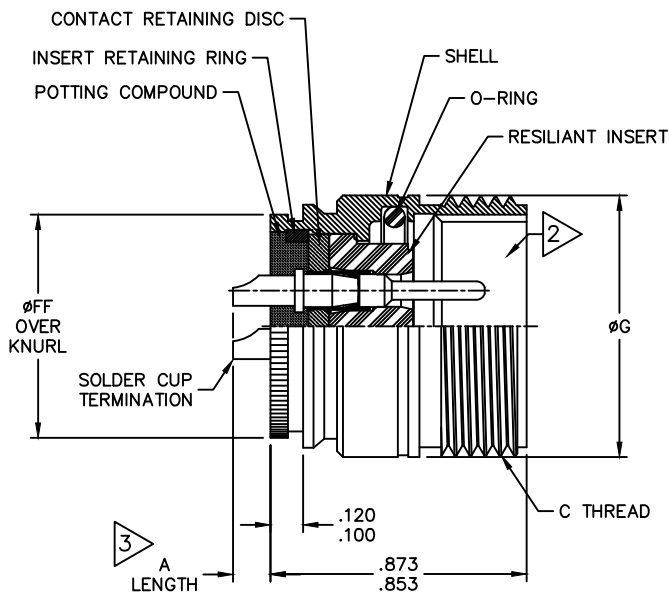
1. BOTH PIN AND SOCKET STYLES AND MULTIPLE TERMINATION STYLES ARE SHOWN FOR ILLUSTRATION PURPOSES. EACH CONNECTOR SHALL HAVE ONLY ONE CONTACT STYLE (PIN OR SOCKET) AND ONE TERMINATION STYLE.

2. MOUNTING AND INTERFACE DIMENSIONS SHALL BE AS SPECIFIED IN MS24264 FOR TYPE "T" CONNECTORS.

3. FOR TERMINATION STYLE AND DIMENSIONS SEE PARAGRAPH 1.8 AND TABLE 5.

FIGURE 10 – CN0942S
 THREADED COUPLED
 KNURLED MOUNT, INTERNAL O-RINGS

	1700 FINLEY RD LOMBARD, IL. 60148			AUTOCAD DRAWING	
		CAD FILE NUMBER CN0942B_N	DRAWING NUMBER CN0942B	REV T	
TITLE CONN, RCPT, ELEC, FLANGE MOUNT FIXED CONTACTS, ENVIRONMENTAL RESISTANT		CAGE IDENT NO. 71785	SIZE A	SCALE NONE	SHEET 21 OF 28



CN0942T

SHELL SIZE	C THREAD	øG	øFF
8	.5625-24 UNEF-2A	.559 .554	.442 .437
10	.6875-24 UNEF-2A	.694 .689	.567 .562
12	.875-20 UNEF-2A	.872 .865	.755 .750
14	.9375-20 UNEF-2A	.935 .930	.817 .812
16	1.0625-18 UNEF-2A	1.060 1.055	.943 .938
18	1.1875-18 UNEF-2A	1.185 1.180	1.067 1.062
20	1.3125-18 UNEF-2A	1.310 1.305	1.187 1.182
22	1.4375-18 UNEF-2A	1.435 1.430	1.317 1.312
24	1.5625-18 UNEF-2A	1.560 1.555	1.437 1.432
28	1.8125-16 UNEF-2A	1.810 1.805	1.755 1.750

NOTES:

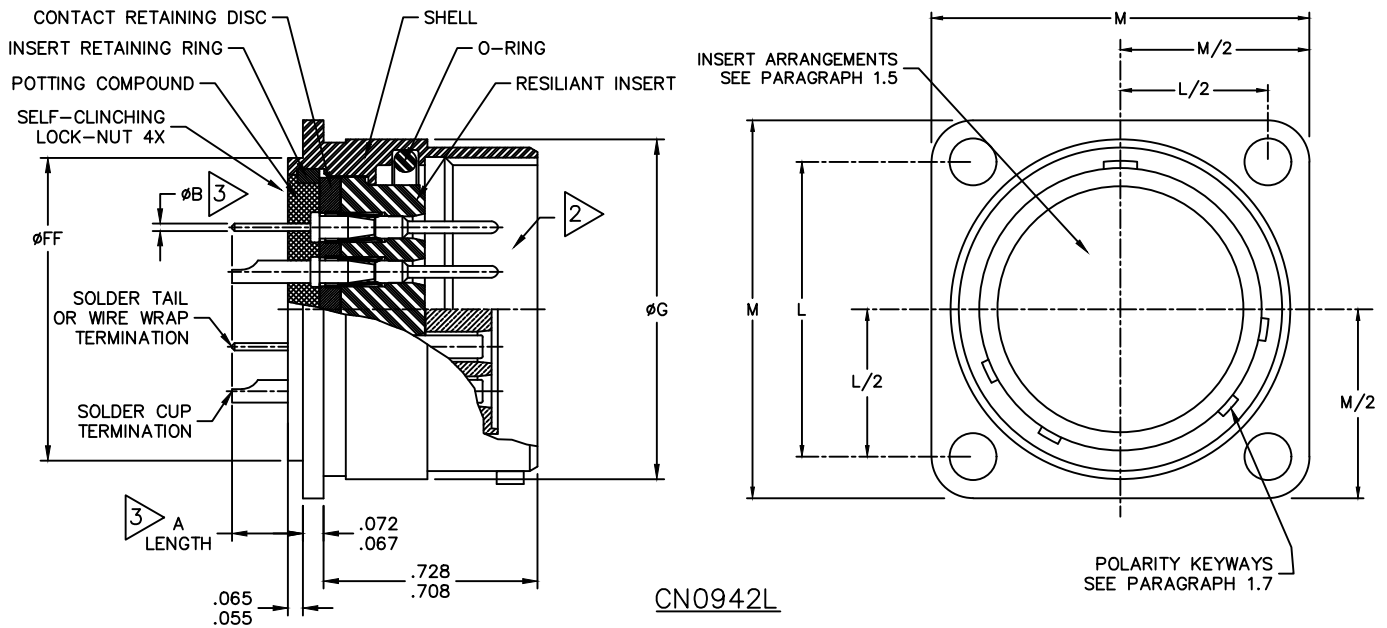
1. BOTH PIN AND SOCKET STYLES AND MULTIPLE TERMINATION STYLES ARE SHOWN FOR ILLUSTRATION PURPOSES. EACH CONNECTOR SHALL HAVE ONLY ONE CONTACT STYLE (PIN OR SOCKET) AND ONE TERMINATION STYLE.

2. MOUNTING AND INTERFACE DIMENSIONS SHALL BE AS SPECIFIED IN MS24264 FOR TYPE "T" CONNECTORS.

3. FOR TERMINATION STYLE AND DIMENSIONS SEE PARAGRAPH 1.8 AND TABLE 5.

FIGURE 11 - CN0942T
THREADED COUPLED
KNURLED MOUNT

	1700 FINLEY RD LOMBARD, IL. 60148			AUTOCAD DRAWING	
		CAD FILE NUMBER CN0942B_N	DRAWING NUMBER CN0942B	REV T	
TITLE CONN, RCPT, ELEC, FLANGE MOUNT FIXED CONTACTS, ENVIRONMENTAL RESISTANT		CAGE IDENT NO. 71785	SIZE A	SCALE NONE	SHEET 22 OF 28



SHELL SIZE	ϕG	L	M	ϕFF MAXIMUM	
				ANODIZED SHELLS	CONDUCTIVE SHELLS
8	.559	.599	.989	.437	.500
	.554	.589	.979		
10	.694	.724	1.113	.562	.625
	.689	.714	1.104		
12	.872	.817	1.205	.750	.750
	.865	.807	1.196		
14	.935	.911	1.299	.812	.875
	.930	.901	1.290		
16	1.060	.974	1.356	.938	1.000
	1.055	.964	1.347		
18	1.185	1.067	1.459	1.062	1.062
	1.180	1.057	1.450		
20	1.310	1.161	1.553	1.187	1.187
	1.305	1.151	1.544		
22	1.435	1.255	1.648	1.312	1.312
	1.430	1.245	1.639		
24	1.560	1.380	1.769	1.437	1.437
	1.555	1.370	1.760		
28	1.810	1.567	2.004	1.750	1.750
	1.805	1.557	1.995		

NOTES:

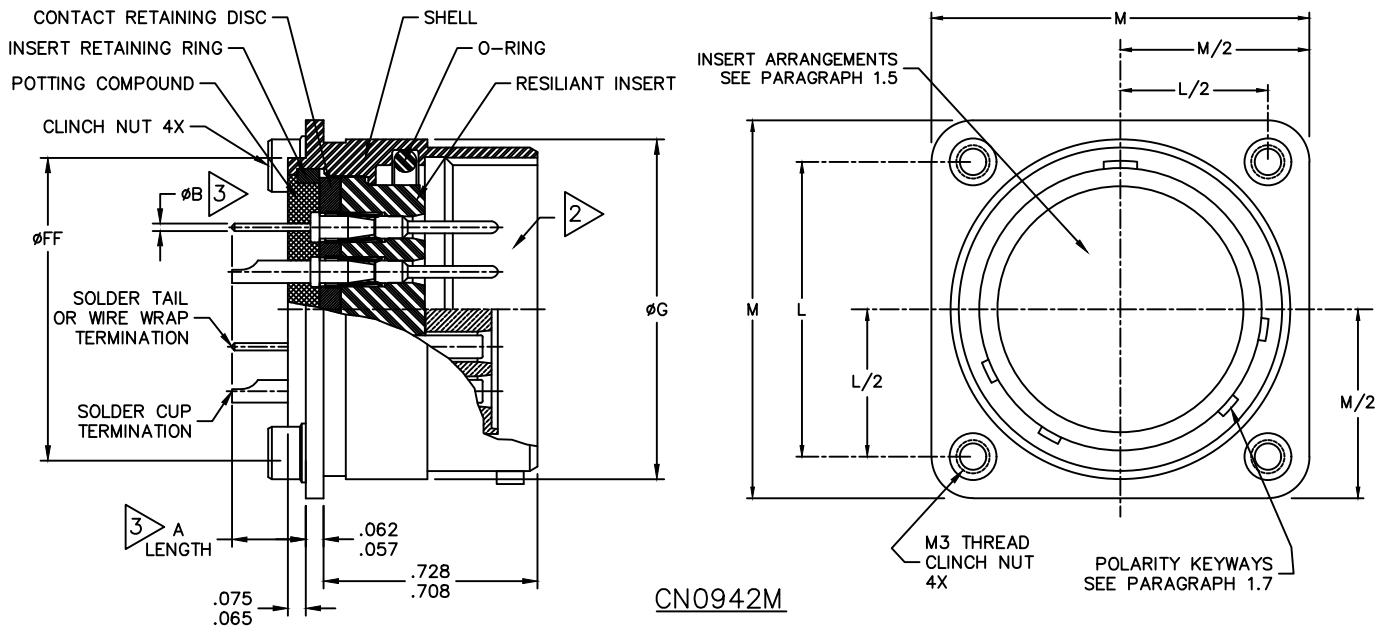
1. BOTH PIN AND SOCKET STYLES AND MULTIPLE TERMINATION STYLES ARE SHOWN FOR ILLUSTRATION PURPOSES. EACH CONNECTOR SHALL HAVE ONLY ONE CONTACT STYLE (PIN OR SOCKET) AND ONE TERMINATION STYLE.

2. MOUNTING AND INTERFACE DIMENSIONS SHALL BE AS SPECIFIED IN MS24264 FOR TYPE "B" CONNECTORS.

3. FOR TERMINATION STYLE AND DIMENSIONS SEE PARAGRAPH 1.8 AND TABLE 5.

FIGURE 12 – CN0942L
BAYONET COUPLED
SQUARE FLANGE MOUNT, WITH MOUNTING HOLES FOR LOCKNUTS

	1700 FINLEY RD LOMBARD, IL. 60148			AUTOCAD DRAWING		
		CAD FILE NUMBER CN0942B_N	DRAWING NUMBER CN0942B	REV T	CAGE IDENT NO. 71785	SIZE A
TITLE CONN, RCPT, ELEC, FLANGE MOUNT FIXED CONTACTS, ENVIRONMENTAL RESISTANT						



SHELL SIZE	ϕG	L	M	ϕFF MAXIMUM	
				ANODIZED SHELLS	CONDUCTIVE SHELLS
8	.559	.599	.989	.437	.500
	.554	.589	.979		
10	.694	.724	1.113	.562	.625
	.689	.714	1.104		
12	.872	.817	1.205	.750	.750
	.865	.807	1.196		
14	.935	.911	1.299	.812	.875
	.930	.901	1.290		
16	1.060	.974	1.356	.938	1.000
	1.055	.964	1.347		
18	1.185	1.067	1.459	1.062	1.062
	1.180	1.057	1.450		
20	1.310	1.161	1.553	1.187	1.187
	1.305	1.151	1.544		
22	1.435	1.255	1.648	1.312	1.312
	1.430	1.245	1.639		
24	1.560	1.380	1.769	1.437	1.437
	1.555	1.370	1.760		
28	1.810	1.567	2.004	1.750	1.750
	1.805	1.557	1.995		

NOTES:

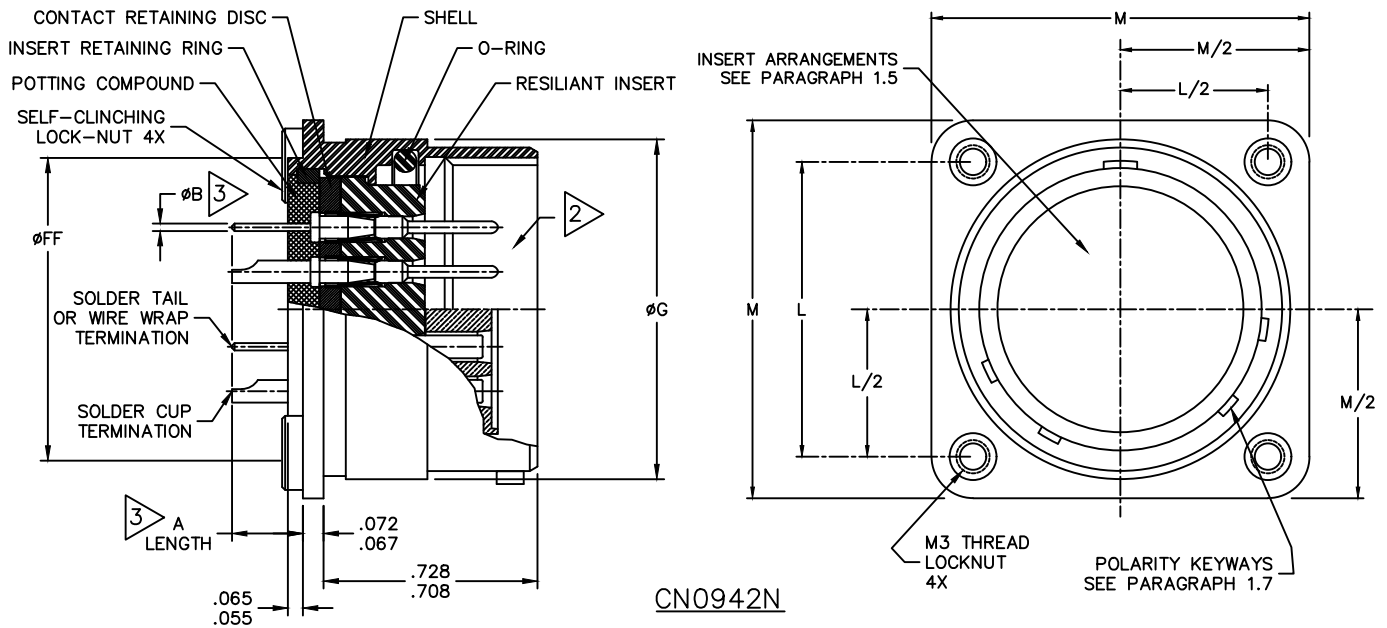
1. BOTH PIN AND SOCKET STYLES AND MULTIPLE TERMINATION STYLES ARE SHOWN FOR ILLUSTRATION PURPOSES. EACH CONNECTOR SHALL HAVE ONLY ONE CONTACT STYLE (PIN OR SOCKET) AND ONE TERMINATION STYLE.

2. MOUNTING AND INTERFACE DIMENSIONS SHALL BE AS SPECIFIED IN MS24264 FOR TYPE "B" CONNECTORS.

3. FOR TERMINATION STYLE AND DIMENSIONS SEE PARAGRAPH 1.8 AND TABLE 5.

**FIGURE 13 – CN0942M
BAYONET COUPLED
SQUARE FLANGE MOUNT, METRIC CLINCH NUTS W/ NYLON**

	1700 FINLEY RD LOMBARD, IL. 60148			AUTOCAD DRAWING		
		CAD FILE NUMBER CN0942B_N	DRAWING NUMBER CN0942B	REV T	CAGE IDENT NO. 71785	SIZE A
TITLE CONN, RCPT, ELEC, FLANGE MOUNT FIXED CONTACTS, ENVIRONMENTAL RESISTANT						



SHELL SIZE	ϕG	L	M	ϕFF MAXIMUM	
				ANODIZED SHELLS	CONDUCTIVE SHELLS
8	.559	.599	.989	.437	.500
	.554	.589	.979		
10	.694	.724	1.113	.562	.625
	.689	.714	1.104		
12	.872	.817	1.205	.750	.750
	.865	.807	1.196		
14	.935	.911	1.299	.812	.875
	.930	.901	1.290		
16	1.060	.974	1.356	.938	1.000
	1.055	.964	1.347		
18	1.185	1.067	1.459	1.062	1.062
	1.180	1.057	1.450		
20	1.310	1.161	1.553	1.187	1.187
	1.305	1.151	1.544		
22	1.435	1.255	1.648	1.312	1.312
	1.430	1.245	1.639		
24	1.560	1.380	1.769	1.437	1.437
	1.555	1.370	1.760		
28	1.810	1.567	2.004	1.750	1.750
	1.805	1.557	1.995		

NOTES:

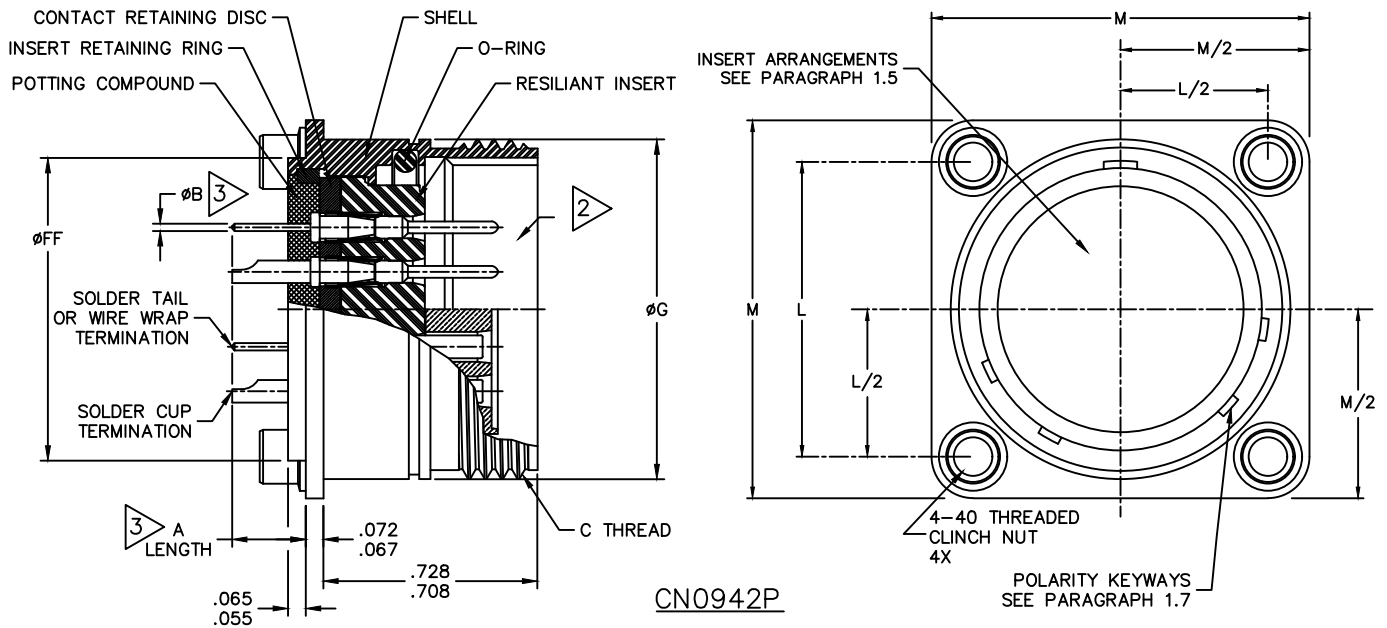
1. BOTH PIN AND SOCKET STYLES AND MULTIPLE TERMINATION STYLES ARE SHOWN FOR ILLUSTRATION PURPOSES. EACH CONNECTOR SHALL HAVE ONLY ONE CONTACT STYLE (PIN OR SOCKET) AND ONE TERMINATION STYLE.

2. MOUNTING AND INTERFACE DIMENSIONS SHALL BE AS SPECIFIED IN MS24264 FOR TYPE "B" CONNECTORS.

3. FOR TERMINATION STYLE AND DIMENSIONS SEE PARAGRAPH 1.8 AND TABLE 5.

FIGURE 14 – CN0942N
BAYONET COUPLED
SQUARE FLANGE MOUNT, WITH METRIC SELF-CLINCHING LOCKNUTS

	1700 FINLEY RD LOMBARD, IL. 60148			AUTOCAD DRAWING		
		CAD FILE NUMBER CN0942B_N	DRAWING NUMBER CN0942B	REV T	CAGE IDENT NO. 71785	SIZE A
TITLE CONN, RCPT, ELEC, FLANGE MOUNT FIXED CONTACTS, ENVIRONMENTAL RESISTANT						



CN0942P

POLARITY KEYWAYS
SEE PARAGRAPH 1.7

SHELL SIZE	C THREAD	øG	L	M	øFF MAXIMUM	
					ANODIZED SHELLS	CONDUCTIVE SHELLS
8	.5625-24 UNEF-2A	.559	.599	.817	.437	.500
		.554	.589	.807		
10	.6875-24 UNEF-2A	.694	.724	.941	.562	.625
		.689	.714	.932		
12	.875-20 UNEF-2A	.872	.817	1.035	.750	.750
		.865	.807	1.026		
14	.9375-20 UNEF-2A	.935	.911	1.129	.812	.875
		.930	.901	1.120		
16	1.0625-18 UNEF-2A	1.060	.974	1.254	.938	1.000
		1.055	.964	1.245		
18	1.1875-18 UNEF-2A	1.185	1.067	1.347	1.062	1.062
		1.180	1.057	1.338		
20	1.3125-18 UNEF-2A	1.310	1.161	1.441	1.187	1.187
		1.305	1.151	1.432		
22	1.4375-18 UNEF-2A	1.435	1.255	1.566	1.312	1.312
		1.430	1.245	1.557		
24	1.5625-18 UNEF-2A	1.560	1.380	1.707	1.437	1.437
		1.555	1.370	1.698		
28	1.8125-16 UNEF-2A	1.810	1.567	2.004	1.750	1.750
		1.805	1.557	1.995		

NOTES:

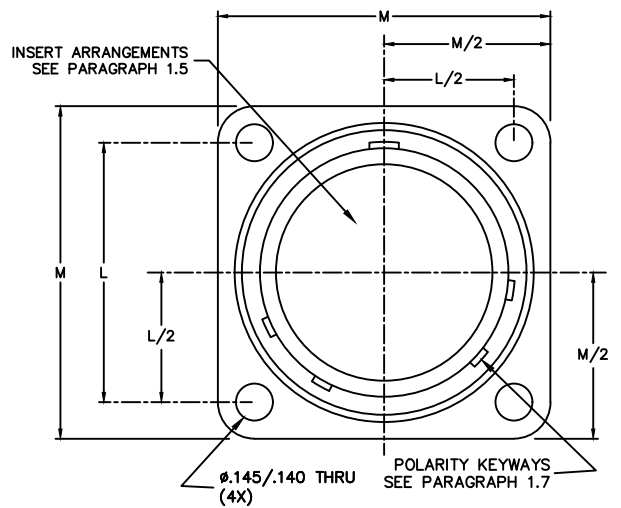
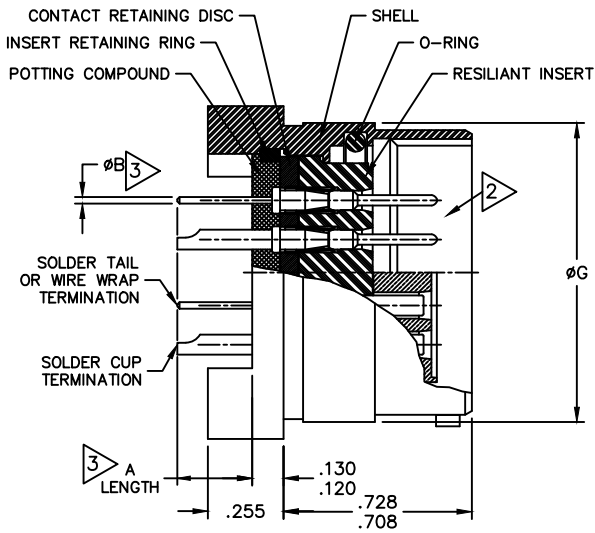
1. BOTH PIN AND SOCKET STYLES AND MULTIPLE TERMINATION STYLES ARE SHOWN FOR ILLUSTRATION PURPOSES. EACH CONNECTOR SHALL HAVE ONLY ONE CONTACT STYLE (PIN OR SOCKET) AND ONE TERMINATION STYLE.

2. MOUNTING AND INTERFACE DIMENSIONS SHALL BE AS SPECIFIED IN MS24264 FOR TYPE "T" CONNECTORS.

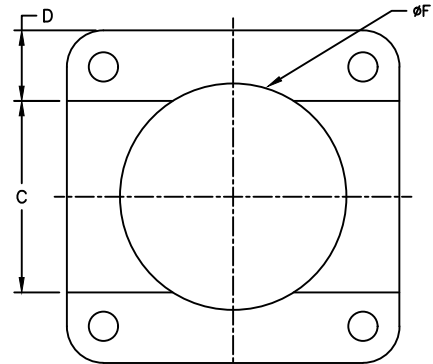
3. FOR TERMINATION STYLE AND DIMENSIONS SEE PARAGRAPH 1.8 AND TABLE 5.

FIGURE 15 - CN0942P
THREADED COUPLED
SQUARE FLANGE MOUNT

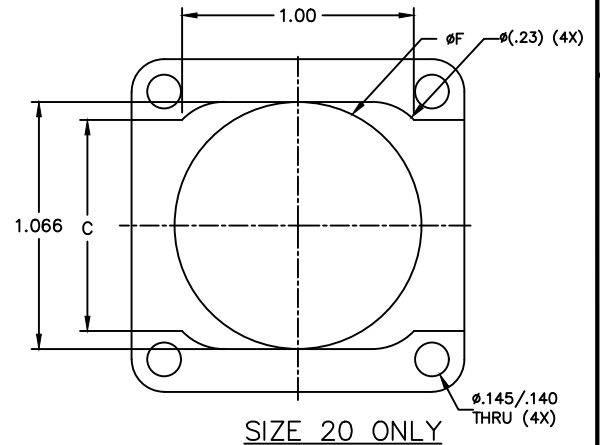
	1700 FINLEY RD LOMBARD, IL. 60148			AUTOCAD DRAWING	
		CAD FILE NUMBER CN0942B_N	DRAWING NUMBER CN0942B	REV T	
TITLE CONN, RCPT, ELEC, FLANGE MOUNT FIXED CONTACTS, ENVIRONMENTAL RESISTANT		CAGE IDENT NO. 71785	SIZE A	SCALE NONE	SHEET 26 OF 28



CN0942R



REAR VIEW



SIZE 20 ONLY

SHELL SIZE	C	D (REF)	ϕF	ϕG	L	M
8	.325	.246	.386	.559	.599	.817
	.315		.376	.554	.589	.807
10	.435	.253	.464	.694	.724	.941
	.425		.454	.689	.714	.932
12	.569	.233	.641	.872	.817	1.035
	.559		.631	.865	.807	1.026
14	.637	.246	.703	.935	.911	1.129
	.627		.693	.930	.901	1.120
16	.769	.243	.828	1.060	.974	1.254
	.759		.818	1.055	.964	1.245
18	.775	.286	.945	1.185	1.067	1.347
	.765		.935	1.180	1.057	1.338
20	.916	.265	1.071	1.310	1.161	1.441
	.906		1.061	1.305	1.151	1.432
22	1.005	.281	1.199	1.435	1.255	1.566
	.995		1.189	1.430	1.245	1.557
24	1.155	.276	1.324	1.560	1.380	1.707
	1.145		1.314	1.555	1.370	1.698
28	1.232	.386	1.571	1.810	1.567	2.004
	1.222		1.561	1.805	1.557	1.995

NOTES:

1. BOTH PIN AND SOCKET STYLES AND MULTIPLE TERMINATION STYLES ARE SHOWN FOR ILLUSTRATION PURPOSES. EACH CONNECTOR SHALL HAVE ONLY ONE CONTACT STYLE (PIN OR SOCKET) AND ONE TERMINATION STYLE.

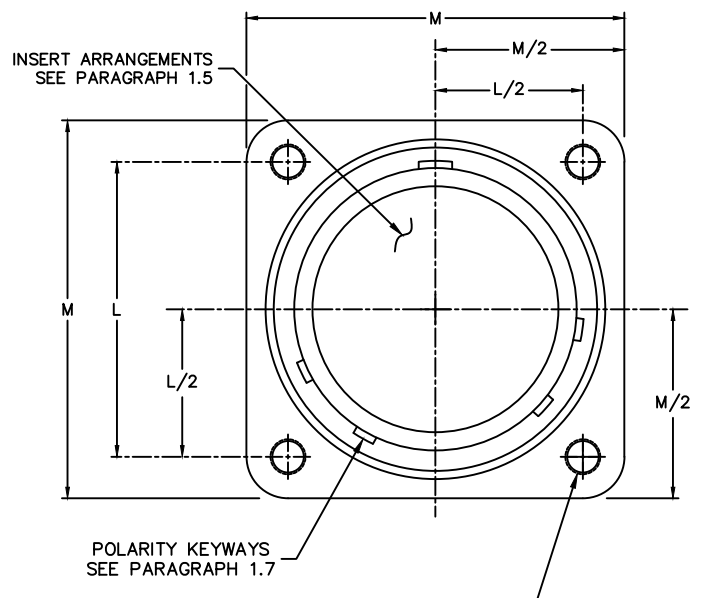
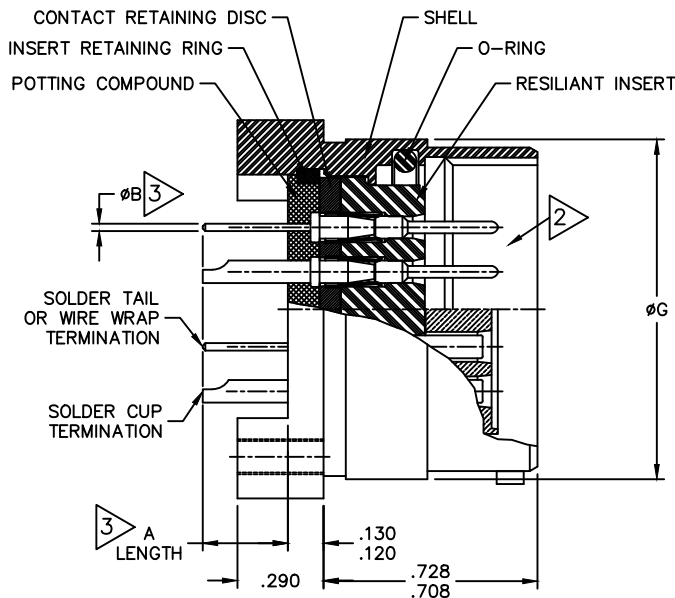
2. MOUNTING AND INTERFACE DIMENSIONS SHALL BE AS SPECIFIED IN MS24264 FOR TYPE "B" CONNECTORS.

3. FOR TERMINATION STYLE AND DIMENSIONS SEE PARAGRAPH 1.8 AND TABLE 5.

4. REAR VIEW FEET HAS A DIFFERENT PROFILE ON SIZE 20

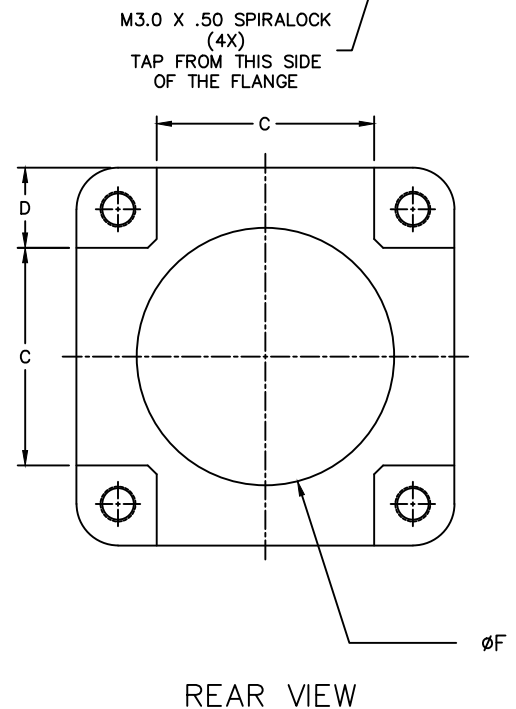
FIGURE 16 – CN0942R
BAYONET COUPLED
SQUARE FLANGE MOUNT, .290" STEPPED FLANGE

	1700 FINLEY RD LOMBARD, IL. 60148			AUTOCAD DRAWING	
		CAD FILE NUMBER CN0942B_N	DRAWING NUMBER CN0942B	REV T	
TITLE CONN, RCPT, ELEC, FLANGE MOUNT FIXED CONTACTS, ENVIRONMENTAL RESISTANT	CAGE IDENT NO. 71785	SIZE A	SCALE NONE	SHEET 27 OF 28	



CN0942U

SHELL SIZE	C	D (REF)	ϕF	ϕG	L	M
8	.325	.246	.386	.559	.599	.817
	.315		.376	.554	.589	.807
10	.435	.253	.464	.694	.724	.941
	.425		.454	.689	.714	.932
12	.569	.233	.641	.872	.817	1.035
	.559		.631	.865	.807	1.026
14	.637	.246	.703	.935	.911	1.129
	.627		.693	.930	.901	1.120
16	.769	.243	.828	1.060	.974	1.254
	.759		.818	1.055	.964	1.245
18	.775	.286	.945	1.185	1.067	1.347
	.765		.935	1.180	1.057	1.338
20	.916	.265	1.071	1.310	1.161	1.441
	.906		1.061	1.305	1.151	1.432
22	1.005	.281	1.199	1.435	1.255	1.566
	.995		1.189	1.430	1.245	1.557
24	1.155	.276	1.324	1.560	1.380	1.707
	1.145		1.314	1.555	1.370	1.698
28	1.232	.386	1.571	1.810	1.567	2.004
	1.222		1.561	1.805	1.557	1.995



NOTES:

- BOTH PIN AND SOCKET STYLES AND MULTIPLE TERMINATION STYLES ARE SHOWN FOR ILLUSTRATION PURPOSES. EACH CONNECTOR SHALL HAVE ONLY ONE CONTACT STYLE (PIN OR SOCKET) AND ONE TERMINATION STYLE.
- MOUNTING AND INTERFACE DIMENSIONS SHALL BE AS SPECIFIED IN MS24264 FOR TYPE "B" CONNECTORS.
- FOR TERMINATION STYLE AND DIMENSIONS SEE PARAGRAPH 1.8 AND TABLE 5.

FIGURE 17 - CN0942U

BAYONET COUPLED

SQUARE FLANGE MOUNT, .290" STEPPED FLANGE WITH M3 SPIRALLOCK THREADS

	1700 FINLEY RD LOMBARD, IL. 60148			AUTOCAD DRAWING		
		CAD FILE NUMBER CN0942B_N	DRAWING NUMBER CN0942B	REV T	CAGE IDENT NO. 71785	SIZE A
TITLE CONN, RCPT, ELEC, FLANGE MOUNT FIXED CONTACTS, ENVIRONMENTAL RESISTANT						