

1. MATERIALS:  
 PLASTIC HOUSING: BLACK, THERMOPLASTIC FLAMMABILITY RATING UL 94V-0  
 SHIELD: BRASS, PREPLATED WITH 0.76um MIN SEMI-BRIGHT NICKEL,  
 POST DIPPED WITH 2.54um MIN SAC SOLDER ON SOLDER TAILS,  
 CONTACTS: PHOSPHOR BRONZE, 1.27um MIN OVERALL NICKEL UNDERPLATE,  
 WITH SELECT 1.27 um GOLD OR WITH SELECT 0.05um MIN GOLD OVER 0.76um MIN  
 PALLADIUM-NICKEL AT MATING INTERFACE AND 2.54um MIN MATTE TIN ON  
 SOLDER TAILS.  
 LED: DIFFUSED EPOXY LENS, CARBON STEEL LEAD FRAME TAILS OF LED  
 ARE PREPLATED WITH 2.03um MIN SILVER OVER 1.02um MIN NICKEL  
 UNDERPLATE OVER 1.02um MIN COPPER UNDERPLATE. POST-PLATED WITH  
 2.54um MIN MATTE TIN AND/OR SAC SOLDER DIP OR PURE TIN SOLDER DIP

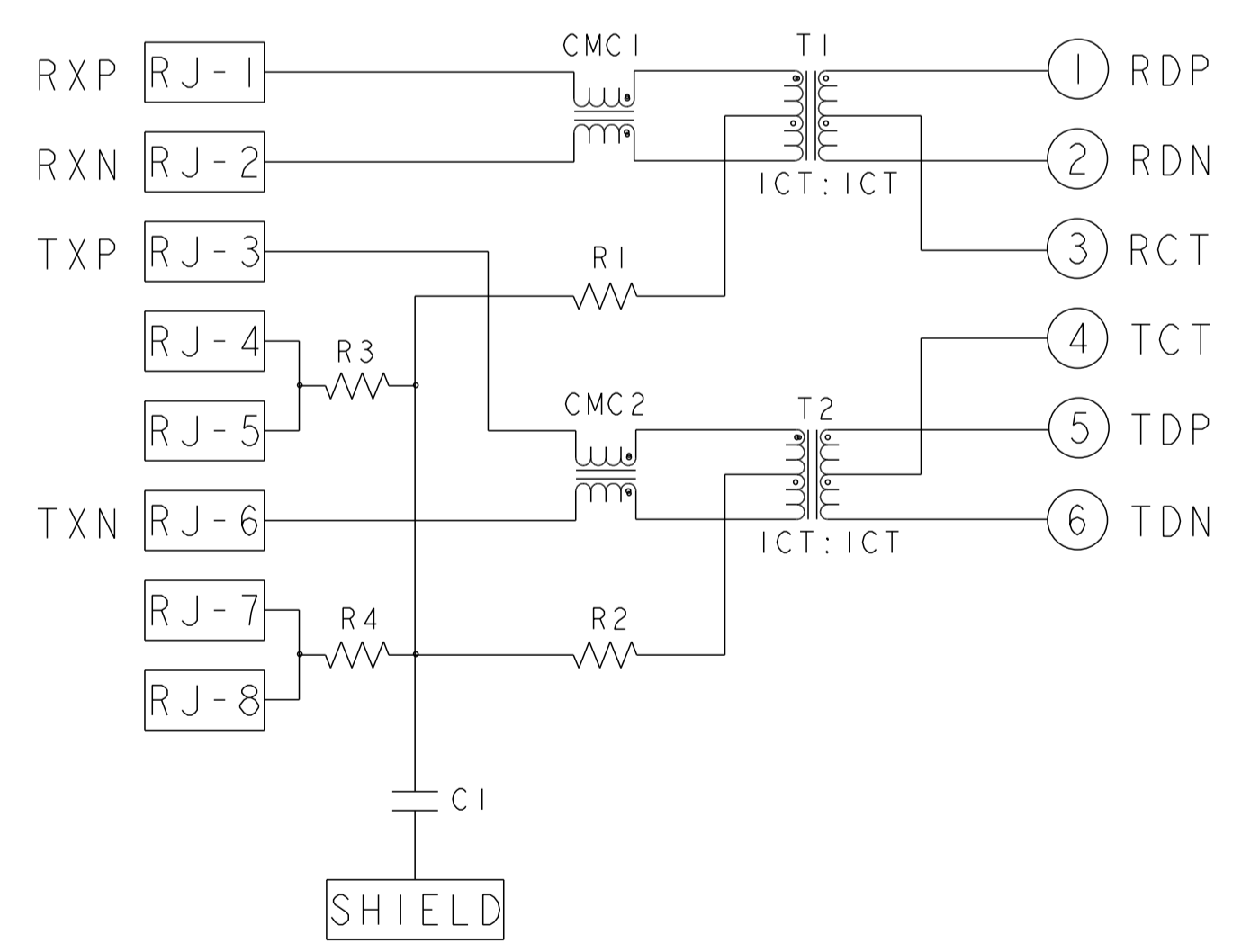
△2 MAGNETICS  
 APPLICATION: 10/100 BASE-T  
 IMPEDANCE: 100 OHMS  
 TURNS RATIO (CHIP:CABLE): TX = 1:1, RX = 1:1  
 OPEN CIRCUIT INDUCTANCE (OCL): 350uH MIN @100kHz, 0.1VRMS,  
 8mADC BIAS FROM 0°C TO 70°C, TX AND RX  
 PERFORMANCE @ 25°C:  
 INSERTION LOSS (IL): 1.1dB MAX FROM 0.5MHz TO 100MHz  
 RETURN LOSS (RL): 18dB MIN FROM 0.5MHz TO 30MHz  
 18-20LOG(f/30)dB MIN FROM 30.1MHz TO 60MHz  
 12dB MIN FROM 60.1MHz TO 80MHz  
 CROSSTALK ATTENUATION: 35dB MIN FROM 0.5MHz TO 40MHz  
 33-20LOG(f/50)dB MIN FROM 40.1MHz TO 100MHz  
 COMMON MODE REJECTION RATIO (CMRR): 30dB MIN FROM 0.5MHz TO 100MHz  
 ISOLATION VOLTAGE: 2250VDC(MAX) FOR 60 SECONDS WITH A RISE TIME OF  
 500V/SEC AND WITH ALL PORTS CONNECTED.

△3 PART NUMBER, DATE CODE AND COUNTRY OF ORIGIN ARE  
 LOCATED IN APPROXIMATE AREA SHOWN.  
 △4 TRP LOGO AND AGENCY APPROVAL LOGO ARE  
 LOCATED IN APPROXIMATE AREA SHOWN.  
 5. OPERATING TEMP: FROM 0°C TO +70°C.  
 6. RJ45 CAVITY CONFORMS TO FCC RULES AND REGULATION PART 68 SUBPART F.

△1 INDICATED MAGNETIC CONNECTIONS ARE SYMMETRICAL AND  
 SUPPORT AUTO-MDI/MDIX.  
 △8 DATUM AND BASIC DIMENSION ESTABLISHED BY CUSTOMER.  
 △9 BASIC DIMENSION ESTABLISHED BY CUSTOMER, BUT MAY NOT BE  
 GREATER THAN 5.08mm.  
 △10 LEDS ARE DRIVEN WITH CONSTANT CURRENT AT APPROX 20mA  
 LED COLOR: DOMINANT WAVELENGTH (λD): GREEN 568 nm TYP. @ IF=20mA  
 FORWARD VOLTAGE (VF): GREEN 2.2V TYP. @ IF=20mA

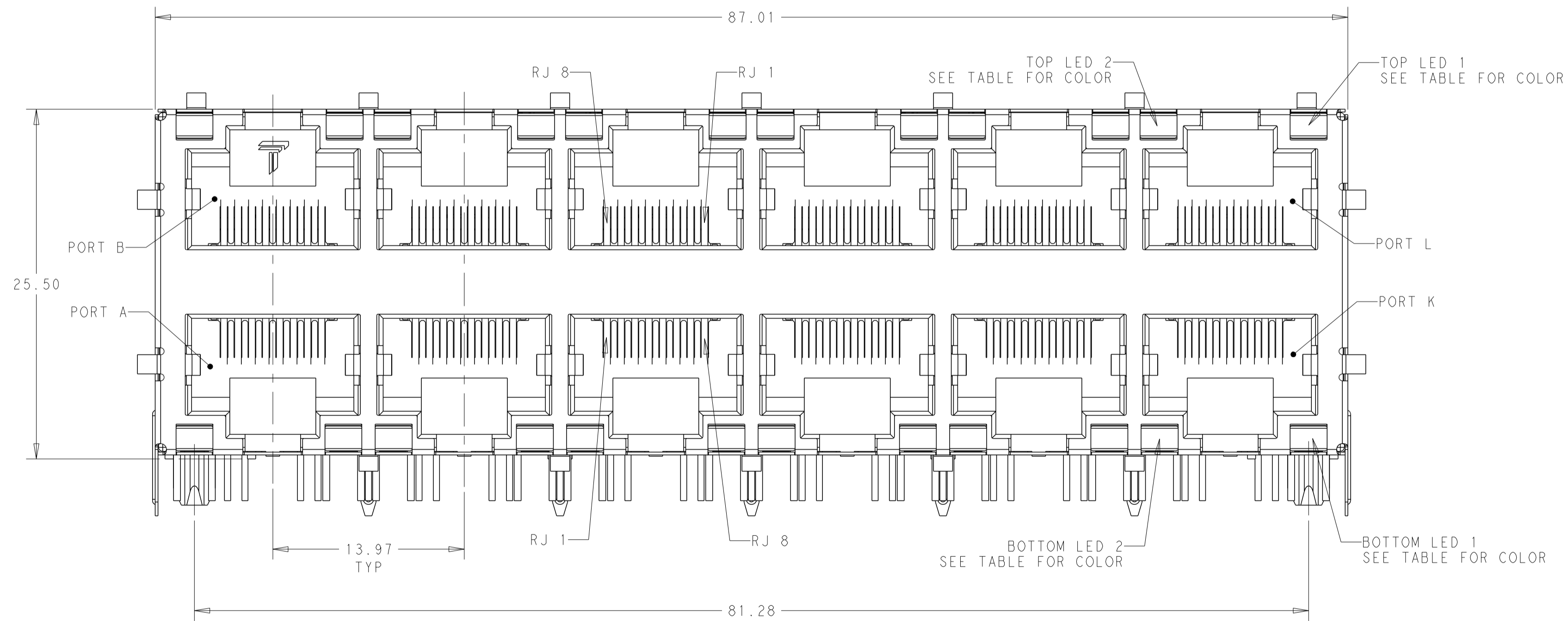
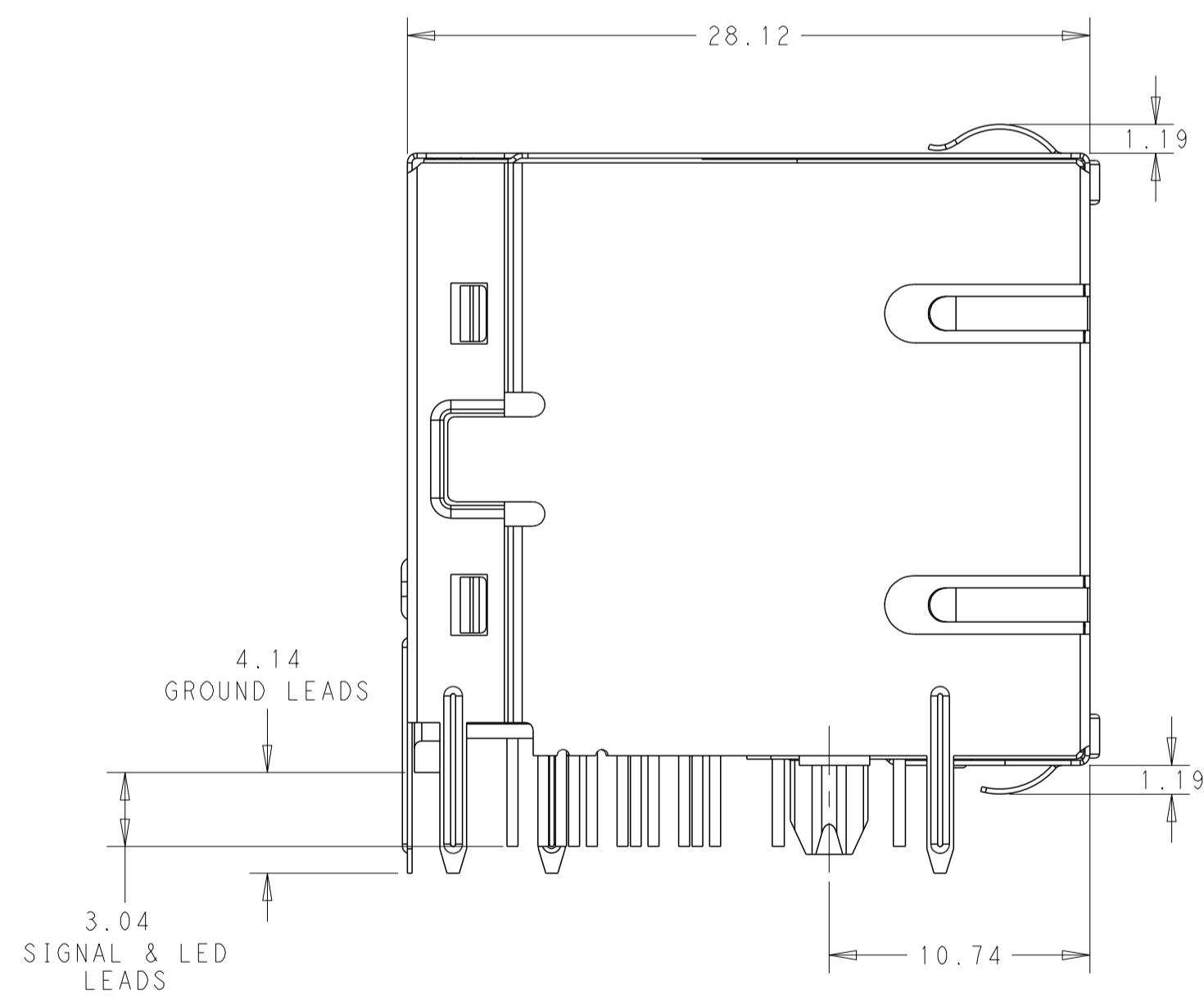
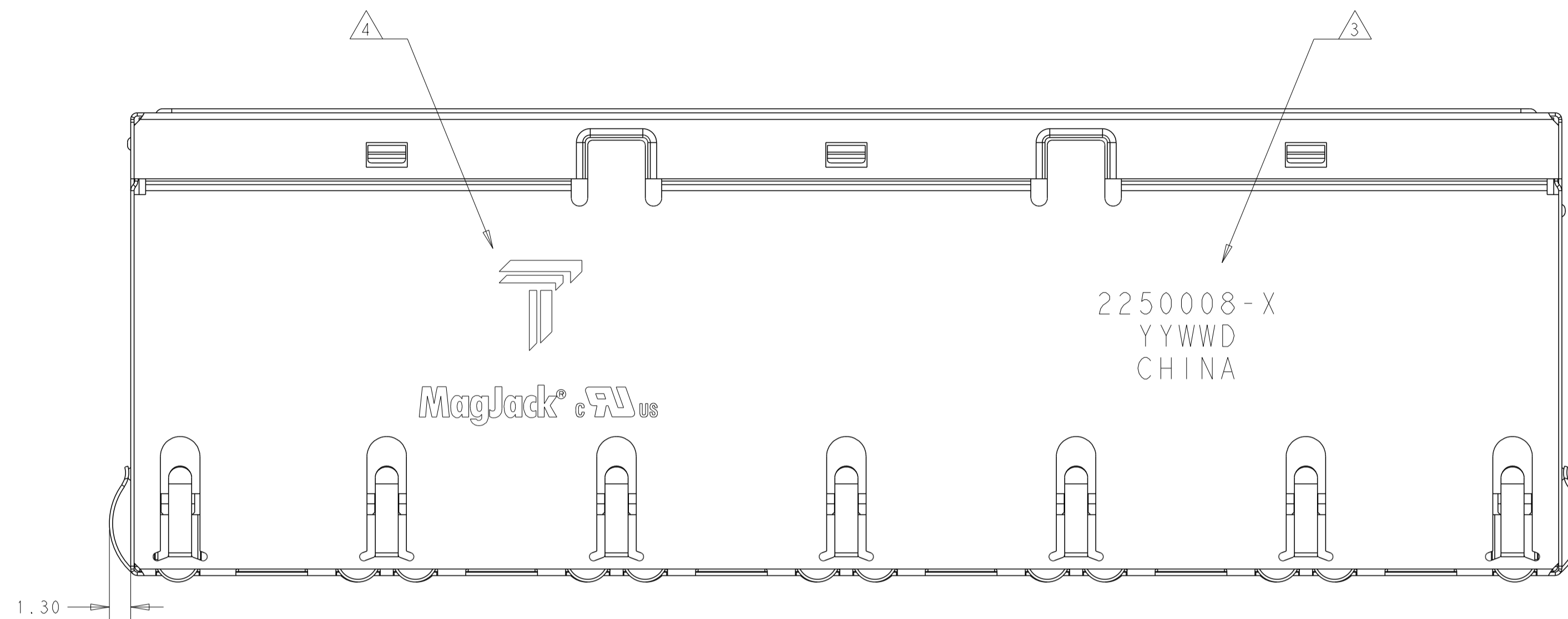
11. THE PARTS ARE RECOMMENDED FOR WAVE SOLDERING PROCESS,  
 PEAK TEMPERATURE 260°C MAX, 10 SECONDS MAX.

S866P9 10/100 BASE-T CIRCUIT △△  
 TOP AND BOTTOM PORTS

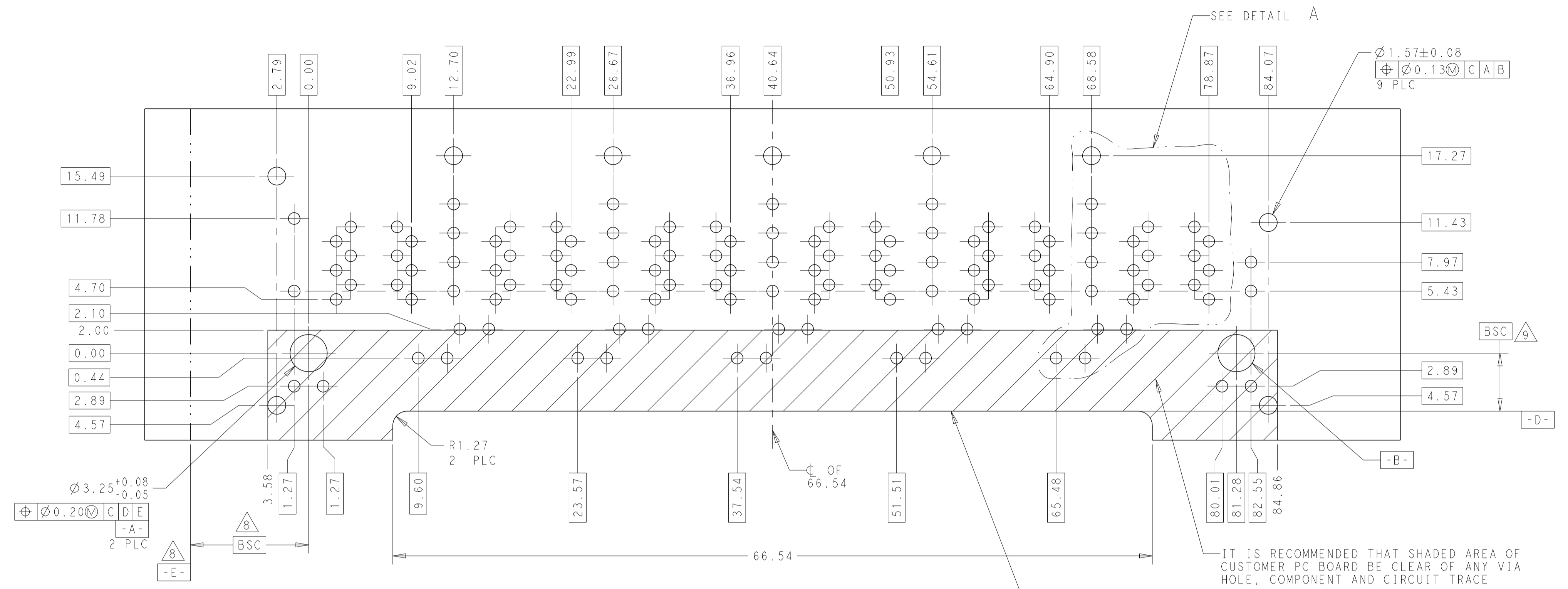


C1 = 1000pF, 2kV, X7R DECOUPLING CAP  
 R1-R4 = 75 Ohms, RESISTORS

THIS DRAWING IS A CONTROLLED DOCUMENT.		DWN: TOMMY REN/ TERRY LIN 07MAY2013		DONGGUAN CHINA	
CHK: TONY YUAN 07MAY2013		APVD: KEITH ZHU 07MAY2013		trp CONNECTOR	
DIMENSIONS: mm		TOLERANCES UNLESS OTHERWISE SPECIFIED:		DESC: 2X6 S866P9 10/100 W/ LED	
0 PLC ±0.25		1 PLC ±0.25		SIZE: A1	
2 PLC ±0.25		3 PLC ±		CAGE CODE: C=2250008	
4 PLC ±		ANGLES		DRAWING NO: 2250008	
PRODUCT SPEC: 108-104004		APPLICATION SPEC		SCALE: 4:1 SHEET 1 OF 4 REV 2	
CUSTOMER DRAWING		RESTRICTED TO		REV 2	



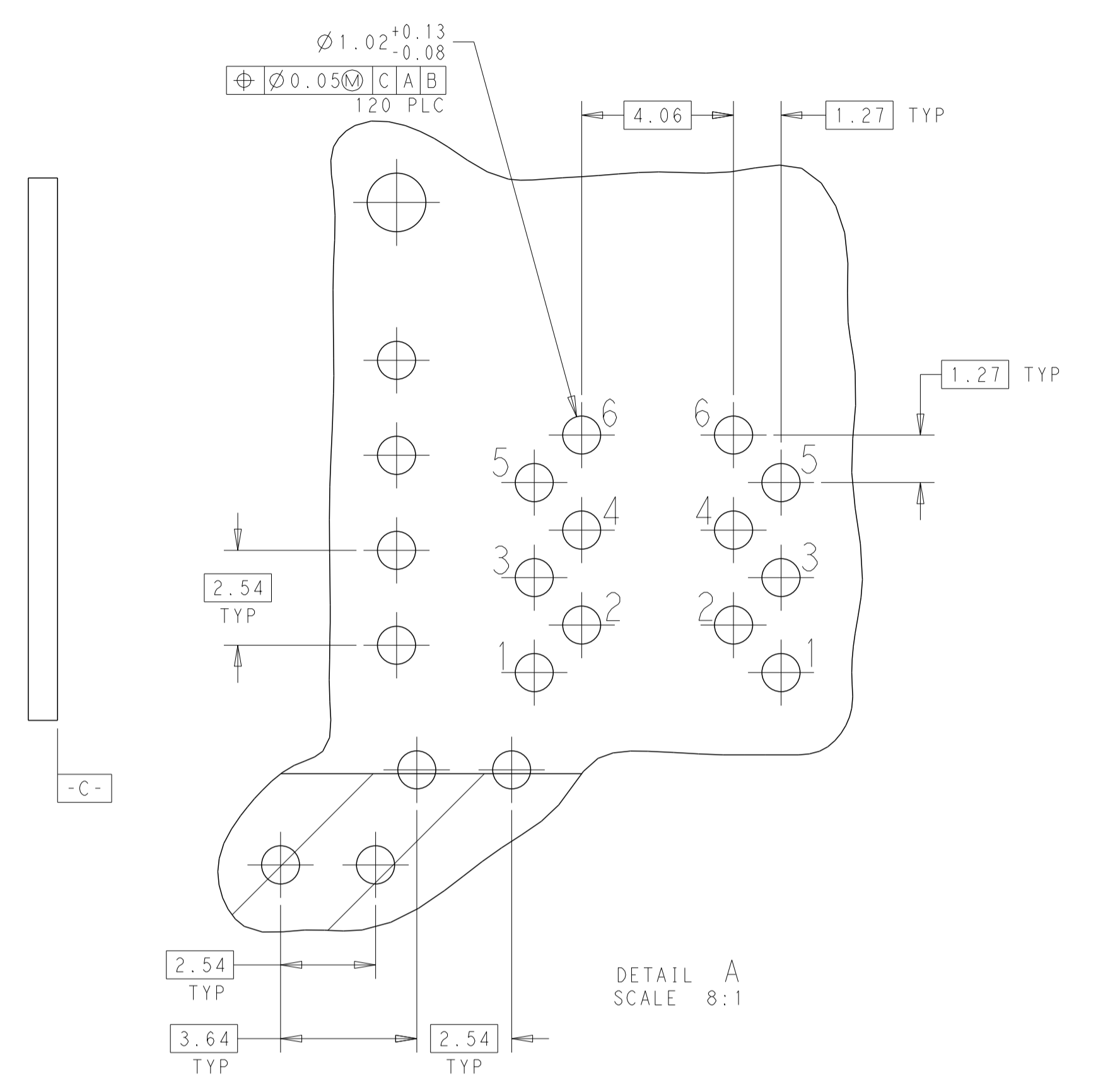
THIS DRAWING IS A CONTROLLED DOCUMENT.		DWN: TOMMY REN / TERRY LIN 07MAY2013 CHK: TONY YUAN 07MAY2013 APVD: KEITH ZHU 07MAY2013 MODEL NAME: MAGJACK		DONGGUAN CHINA
DIMENSIONS: mm 		TOLERANCES UNLESS OTHERWISE SPECIFIED: 0 PLC ±0.25 1 PLC ±0.25 2 PLC ±0.25 3 PLC ±0.25 4 PLC ± ANGLES ± APPLICATION SPEC ±		
PRODUCT SPEC: 108-104004		CUSTOMER DRAWING		SCALE: 4:1 SHEET: 2 OF 4 REV: 2



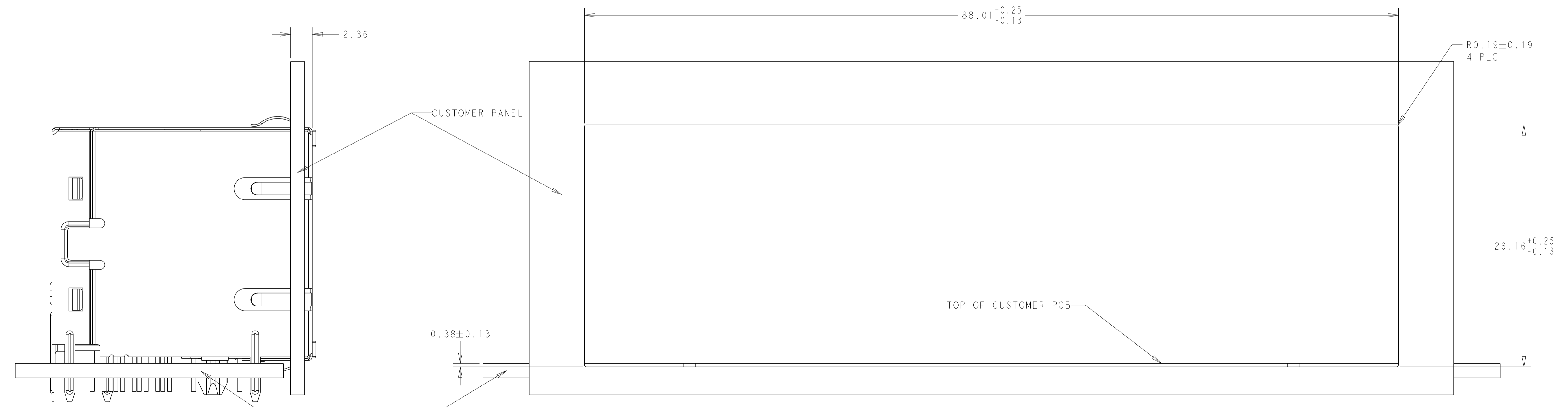
RECOMMENDED PCB LAYOUT COMPONENT SIDE VIEW

IT IS RECOMMENDED THAT SHADED AREA OF CUSTOMER PC BOARD BE CLEAR OF ANY VIA HOLE, COMPONENT AND CIRCUIT TRACE

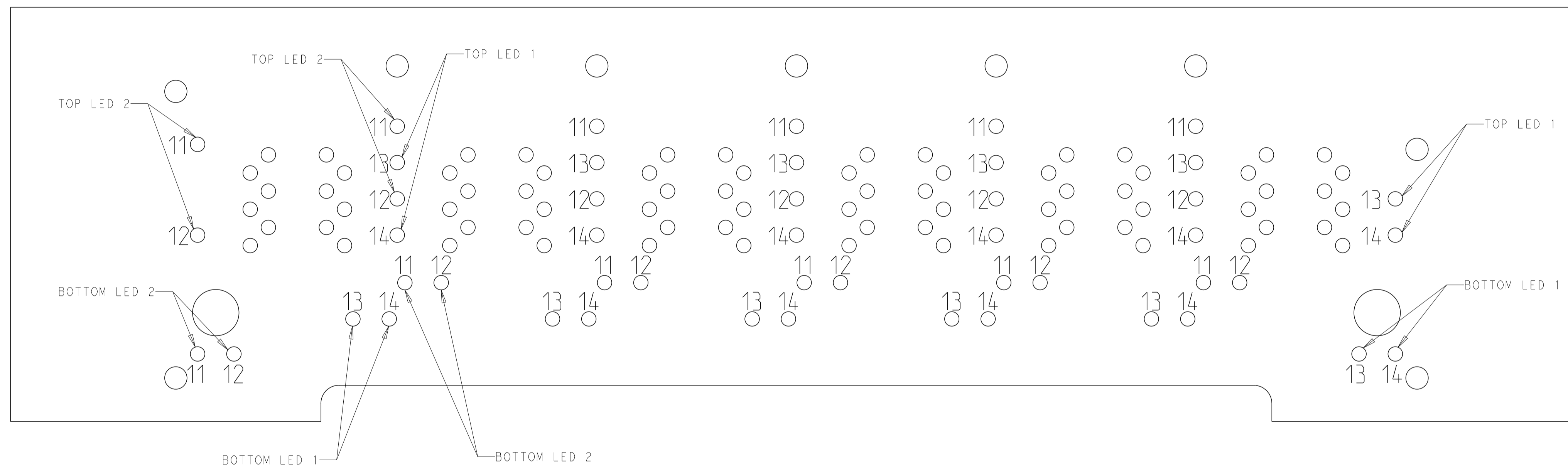
RECOMMENDED PCB FRONT EDGE CUTOUT: THE BOTTOM SHIELD GROUND TABS(FRONT) SHOULD NOT BE SEATED ON THE TOP OF THE PCB



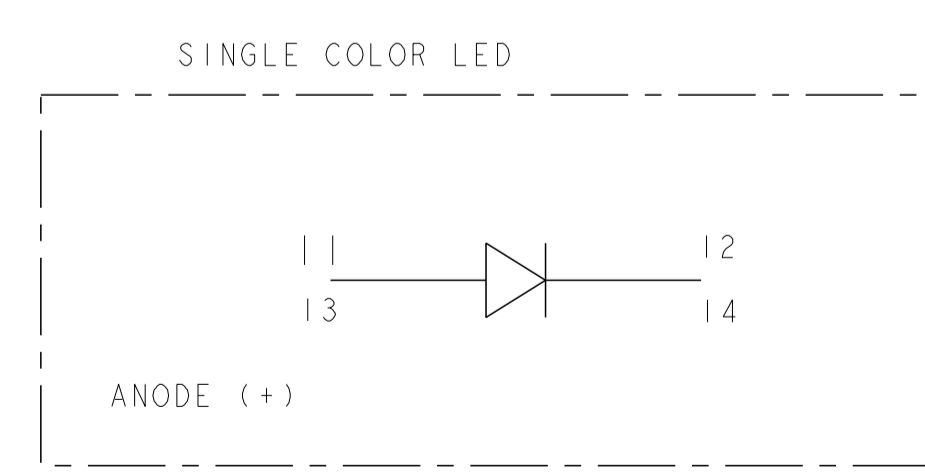
DETAIL A SCALE 8:1



THIS DRAWING IS A CONTROLLED DOCUMENT.		DW: TOMMY REN / 07MAY2013		<b>trp</b> CONNECTOR a bel group DONGGUAN CHINA	
DIMENSIONS: mm		CHK: TONY YUAN / 07MAY2013			
TOLERANCES UNLESS OTHERWISE SPECIFIED:		APVD: KEITH ZHU / 07MAY2013		DESC: 2X6 S866P9 10/100 W/ LED	
0 PLC ±0.25 1 PLC ±0.25 2 PLC ±0.25 3 PLC ± 4 PLC ± ANGLES ± APPLICATION SPEC ±		MODEL NAME: MAGJACK		SIZE: A1	
PRODUCT SPEC: 108-104004		APPLICATION SPEC: -		CAGE CODE: 2250008	
		CUSTOMER DRAWING		SCALE: 4:1 SHEET 3 OF 4 REV 2	



LED HOLE DESIGNATIONS VIEWED FROM COMPONENT SIDE



THIS DRAWING IS A CONTROLLED DOCUMENT.		DW: TOMMY REN / TERRY LIN 07MAY2013		DONGGUAN CHINA	
DIMENSIONS: mm		CHK: TONY YUAN 07MAY2013			
TOLERANCES UNLESS OTHERWISE SPECIFIED:		APVD: KEITH ZHU 07MAY2013		DESC: 2X6 S866P9 10/100 W/ LED	
0 PLC ±0.25		MODEL NAME: MAGJACK		SIZE: A1	
1 PLC ±0.25		PRODUCT SPEC: 108-104004		CAGE CODE: C=2250008	
2 PLC ±0.25		APPLICATION SPEC: -		DRAWING NO: -	
3 PLC ±		CUSTOMER DRAWING		SCALE: 4:1	
4 PLC ±		SCALE: 4:1		SHEET 4 OF 4	
ANGLES ±		SCALE: 4:1		REV: 2	