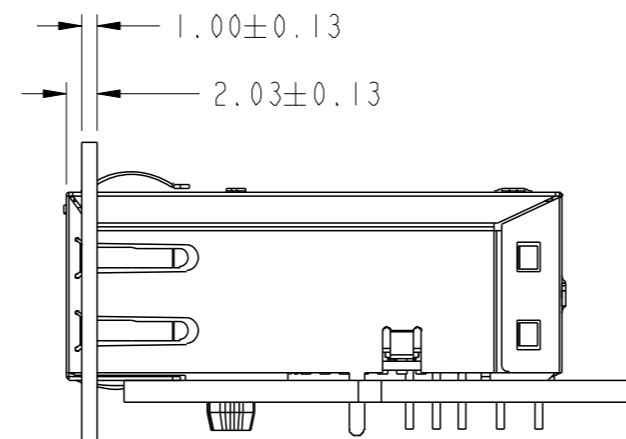
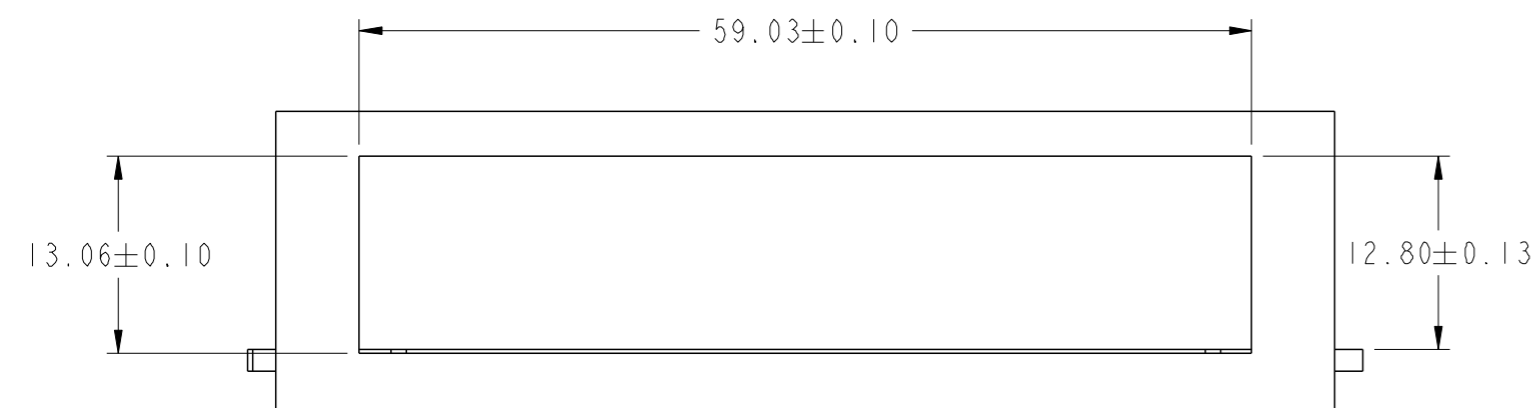
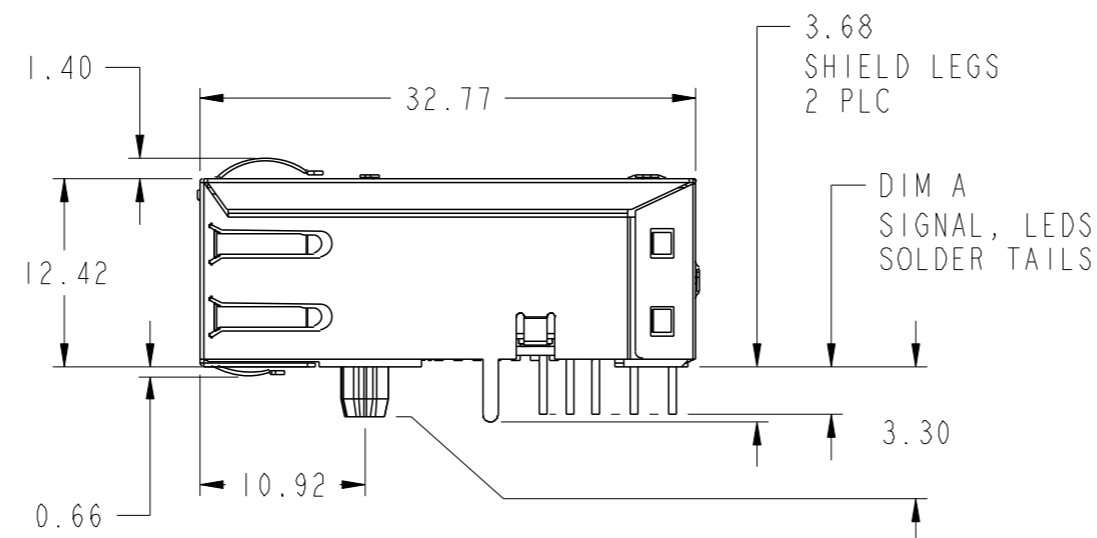
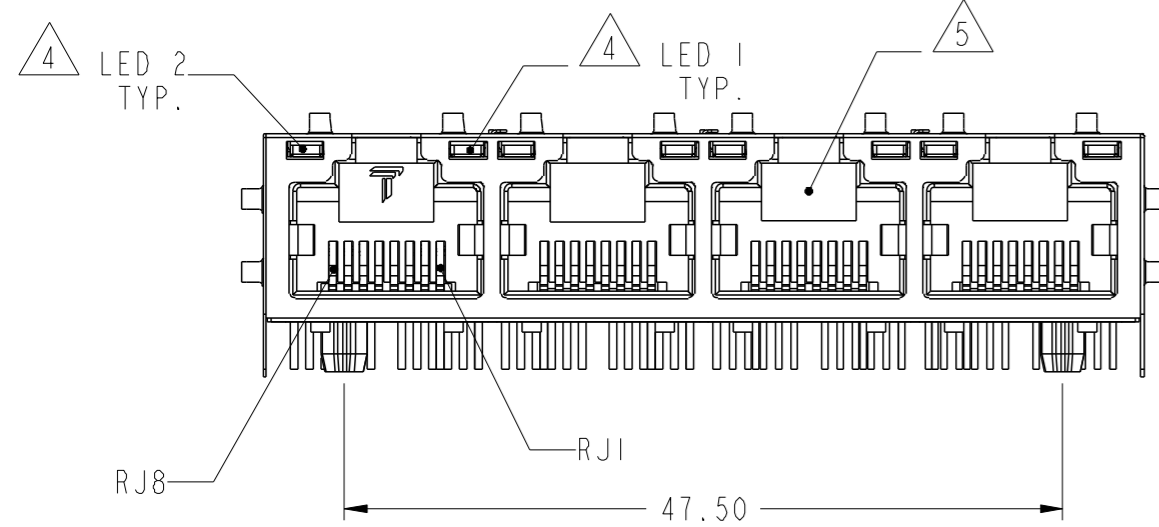
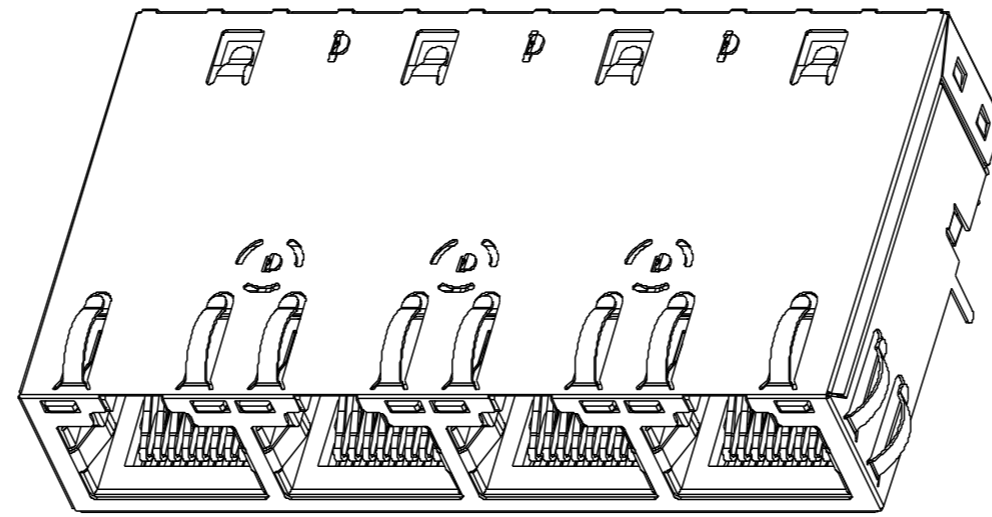
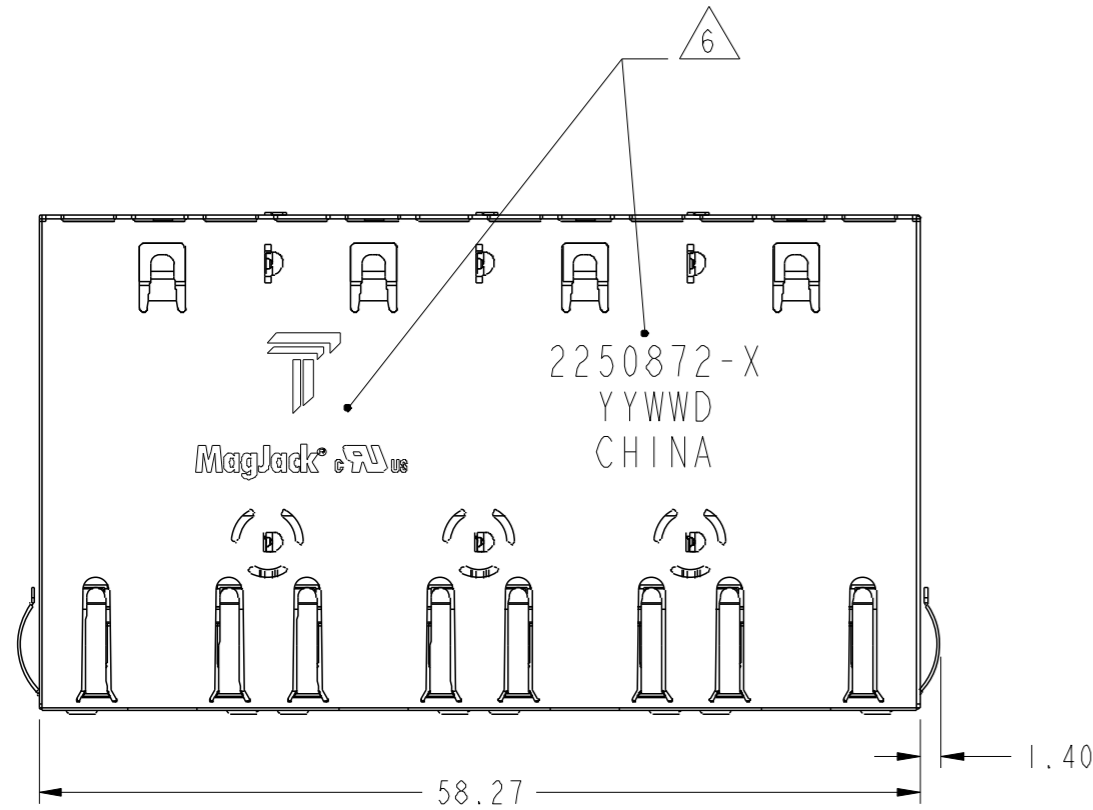


THIS DRAWING AND THE SUBJECT MATTER SHOWN THEREON ARE CONFIDENTIAL AND THE PROPERTY OF BEL/STEWART/TRP CONNECTOR AND SHALL NOT BE REPRODUCED, COPIED, OR USED IN ANY MANNER WITHOUT THE WRITTEN CONSENT OF TRP CONNECTOR.

PRODUCT MAY BE PROTECTED BY ONE OR MORE OF THE FOLLOWING US PATENTS:
 5736910 5939955 6425781 6428361 6554638 6840817 7123117
 7429195 7717749 7808751 6217391 6149050 7924130

REVISIONS				
P	LTR	DESCRIPTION	DATE	APVD
1		SEE LAST SHEET	07AUG2023	TRY TY



1. MATERIALS

HOUSING: THERMOPLASTIC, BLACK, FLAMMABILITY RATING UL 94V-0
 SHIELD: BRASS, 0.20mm THICK, PREPLATED WITH MIN 0.76µm SEMI-BRIGHT NICKEL
 POST DIPPED WITH 2.54µm MIN SAC SOLDER AT GROUND PINS.
 CONTACT: PHOSPHOR BRONZE, 0.46mmX0.30mm
 WITH 1.27µm MIN OVERALL NICKEL UNDERPLATE AND
 SELECTIVE 1.27µm MIN GOLD PLATING AT MATING INTERFACE
 SOLDER TAILS (LED AND SIGNAL): Ø0.45mm COPPER PLATED STEEL,
 PLATED WITH 2.54µm MIN MATTE TIN
 LIGHT PIPE: POLYCARBON, TRANSPARENT, RATING UL 94V-0
 LED: SMD TYPE

2. MAGNETICS

- APPLICATION: 1G/10G BASE-T
 - IMPEDANCE: 100 OHMS
 - TURNS RATIO (CHIP: CABLE): 1:1 ALL FOUR PAIRS
 - OPEN CIRCUIT INDUCTANCE(OCL): 120µH MIN @100kHz, 0.1VRMS,
 8mADC BIAS FROM 0°C TO 70°C, ALL FOUR PAIRS.
 - ALL FOUR PAIRS BI-DIRECTIONAL
 - PERFORMANCE @ 25°C, PLEASE REFER TO SEPARATE SHEET.
 - ISOLATION VOLTAGE: 2250VDC(MAX) FOR 60 SECS WITH A RISE TIME OF 500V/SEC,
 WITH ALL PORTS CONNECTED

3. OPERATING TEMPERATURE: 0°C TO 70°C

4. LEDS ARE DRIVEN WITH CONSTANT CURRENT AT APPROX 20mA.

LED COLOR: DOMINANT WAVELENGTH (λD): GREEN 568 nm TYP. at IF=20mA
 FORWARD VOLTAGE (VF): GREEN 2.2V TYP. at IF=20mA

5. RJ45 CAVITY CONFORMS TO FCC RULES AND REGULATION PART 68 SUBPART F.

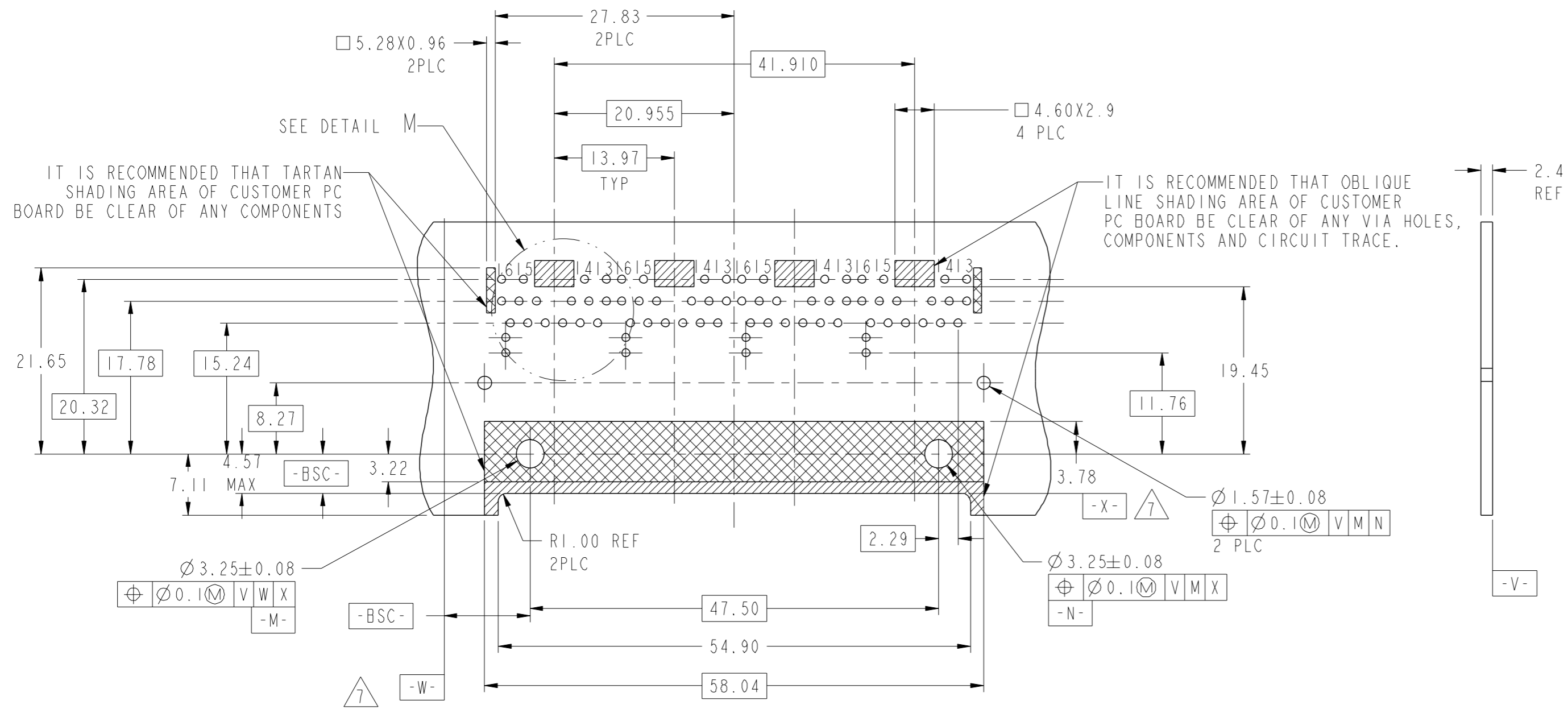
6. TRP CONNECTOR LOGO, PART NUMBER, DATE CODE, COUNTRY OF ORIGIN, AND AGENCY APPROVAL LOGO TO BE MARKED IN APPROPRIATE LOCATION SHOWN.

DATE CODE:YYWWD WHERE YY IS YEAR. WW IS WORK WEEK. D IS DAY OF WEEK, WITH SUNDAY=1.

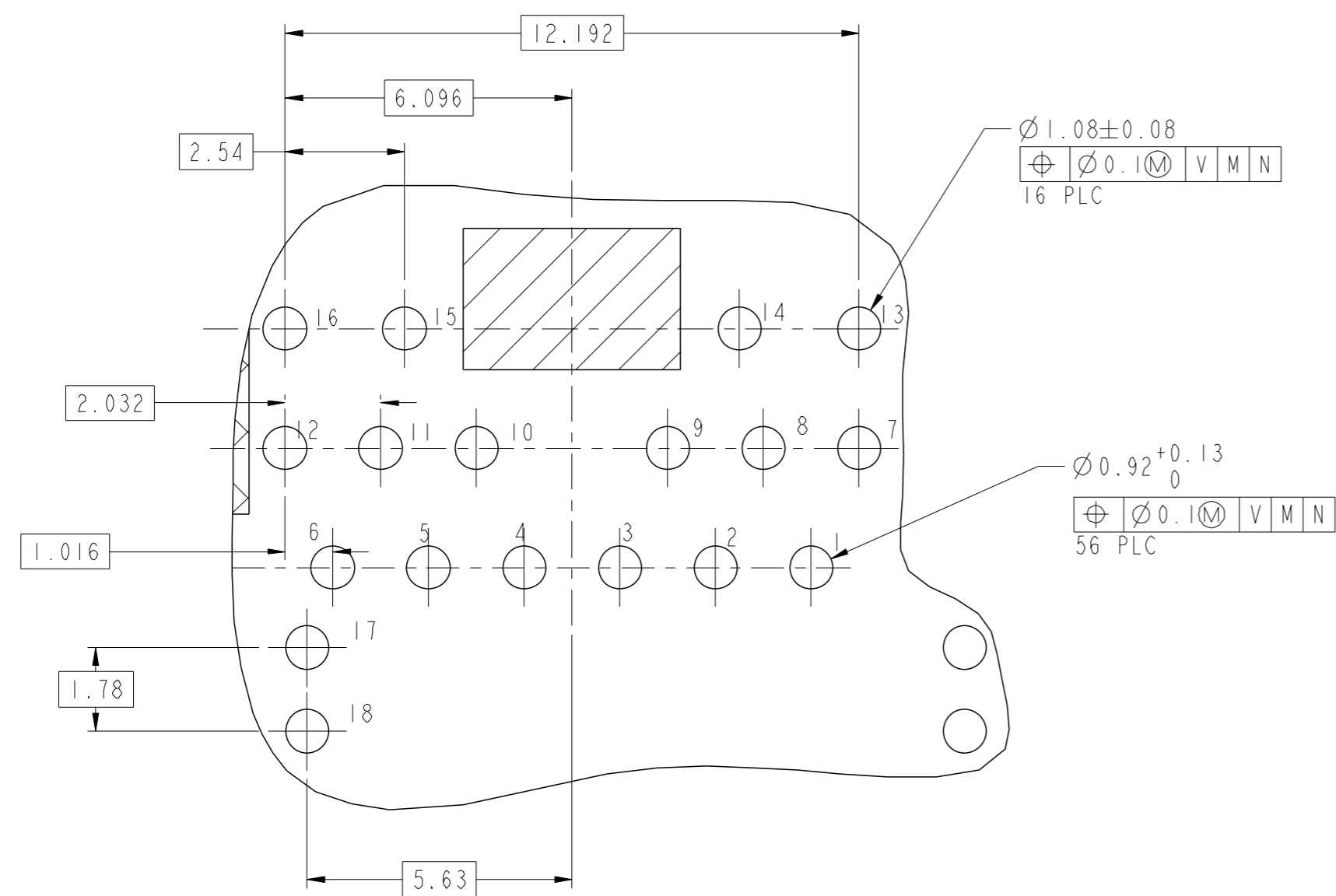
7. DATUM AND BASIC DIMENSION ESTABLISHED BY CUSTOMER.

8. PART SHOULD BE RECOMMENDED FOR WAVE SOLDERING PROCESS, PEAK TEMPERATURE IS 260°C, 10 SECONDS MAX.

PBT	3.18	-	GREEN	-	GREEN	2250872-1
HOUSING MATERIAL	DIM A	(16) (15)	(16) (15)	(14) (13)	(14) (13)	PART NUMBER
		LED 2 (4)		LED 1 (4)		
THIS DRAWING IS A CONTROLLED DOCUMENT. AND COMPLIANT TO ASME Y14.5M		DWN	04AUG2023	trp CONNECTOR DONGGUAN CHINA a bel group		
DIMENSIONS: mm		CHK	04AUG2023			
TOLERANCES UNLESS OTHERWISE SPECIFIED:		APVD	04AUG2023			
0 PLC ±0.25 1 PLC ±0.25 2 PLC ±0.25 3 PLC ±0.25 4 PLC ±0.25		MODEL NAME				
PRODUCT SPEC		MAGJACK GANG NON-POE		DESC IX4 1T51L 10G TAB UP W/LED		
108-104004		114-13141		SIZE	CAGE CODE	DRAWING NO
				A2		C=2250872
CUSTOMER DRAWING				SCALE	NTS	SHEET 1 OF 3
				REV	1	

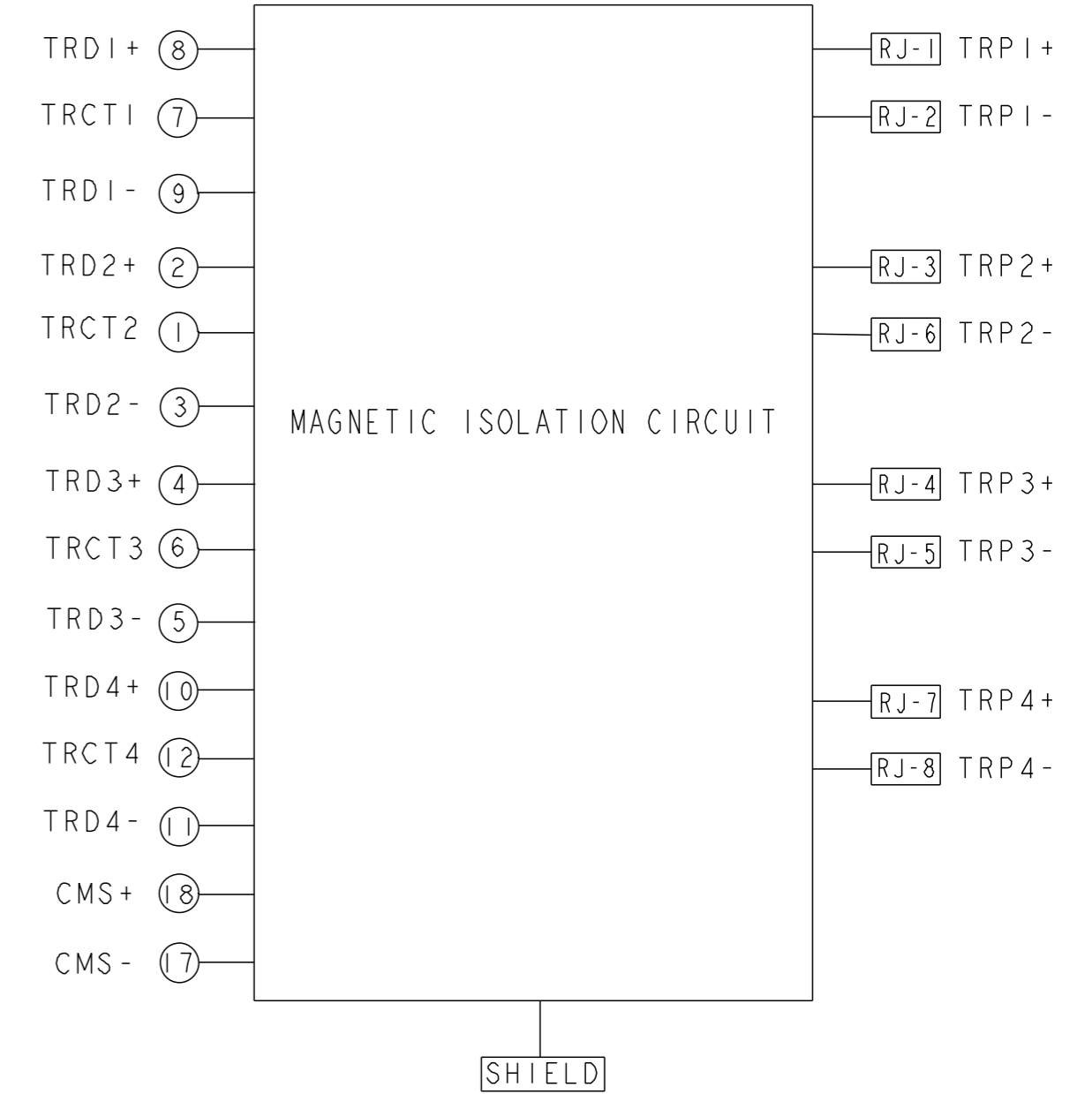



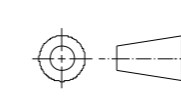
SUGGESTED PCB FOOTPRINT
COMPONENT SIDE
SCALE 2:1



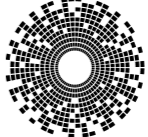
DETAIL M
SCALE 8:1

ITG51L 10G BASE-T CIRCUIT



THIS DRAWING IS A CONTROLLED DOCUMENT. AND COMPLIANT TO ASME Y14.5M		DWN TOWER YU / XENIA W 04AUG2023	 trp CONNECTOR a bel group DONGGUAN CHINA
DIMENSIONS: mm		CHK BILL LIU 04AUG2023	
		APVD TONY YUAN 04AUG2023	DESC 1X4 ITG51L 10G TAB UP W/LED
TOLERANCES UNLESS OTHERWISE SPECIFIED: 0 PLC ±0.25 1 PLC ±0.25 2 PLC ±0.25 3 PLC ±0.25 4 PLC ±0.25 ANGLES ±°		MODEL NAME MAGJACK GANG NON-POE	SIZE A2
PRODUCT SPEC 108-104004		APPLICATION SPEC 114-13141	DRAWING NO C=2250872
CUSTOMER DRAWING			RESTRICTED TO -
SCALE NTS			SHEET 2 OF 3
			REV 1

2250872						STOCK DISPOSITION			
						A:CONTINUE AS IS B:REWORK C:SCRAP		D:USE OLD FIRST E:PARTS TO CONFORM F:OTHER	
REVISION HISTORY									
DATE	REV	CHANGE	REASON	APPROVAL	INVENTORY (A,B,C,D,E,F)	WORK IN PROCESS (A,B,C,D)	SUPPLIER ORDERS (A,E,F)	OPEN CUST ORDERS (A,E,F)	
04AUG2023	I	-	INITIAL RELEASE	TONY YUAN	-	-	-	-	

THIS DRAWING IS A CONTROLLED DOCUMENT. AND COMPLIANT TO ASME Y14.5M		DWN TOWER YU / XENIA W 04AUG2023	 trp CONNECTOR a bel group	DONGGUAN CHINA	
DIMENSIONS: mm		CHK BILL LIU 04AUG2023		DESC 1X4 ITG51L 10G TAB UP W/LED	
TOLERANCES UNLESS OTHERWISE SPECIFIED: 0 PLC ±0.25 1 PLC ±0.25 2 PLC ±0.25 3 PLC ±0.25 4 PLC ±0.25 ANGLES ±		APVD TONY YUAN 04AUG2023	MODEL NAME MAGJACK GANG NON-POE		
PRODUCT SPEC 108-104004		APPLICATION SPEC 114-13141	SIZE A2	CAGE CODE C=2250872	RESTRICTED TO -
CUSTOMER DRAWING			SCALE NTS	SHEET 3	OF 3
			REV 1		