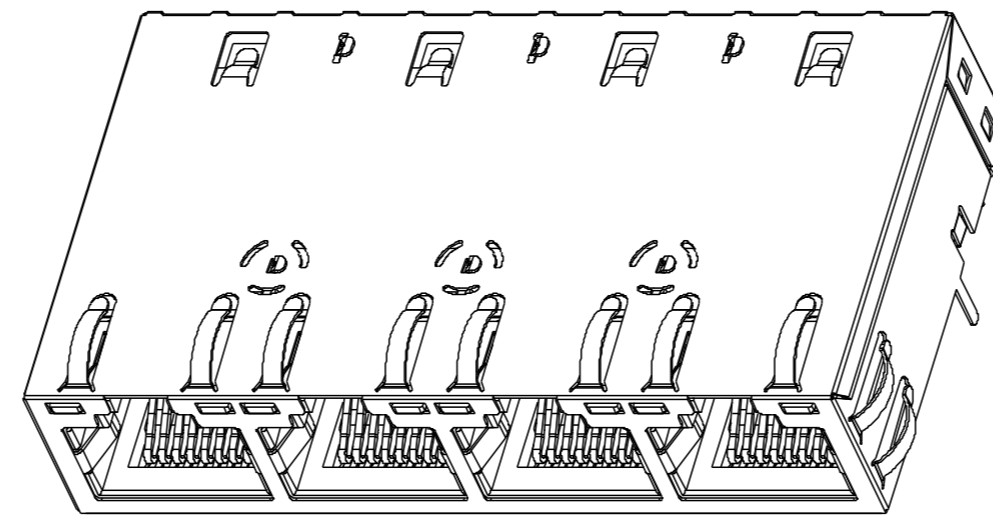
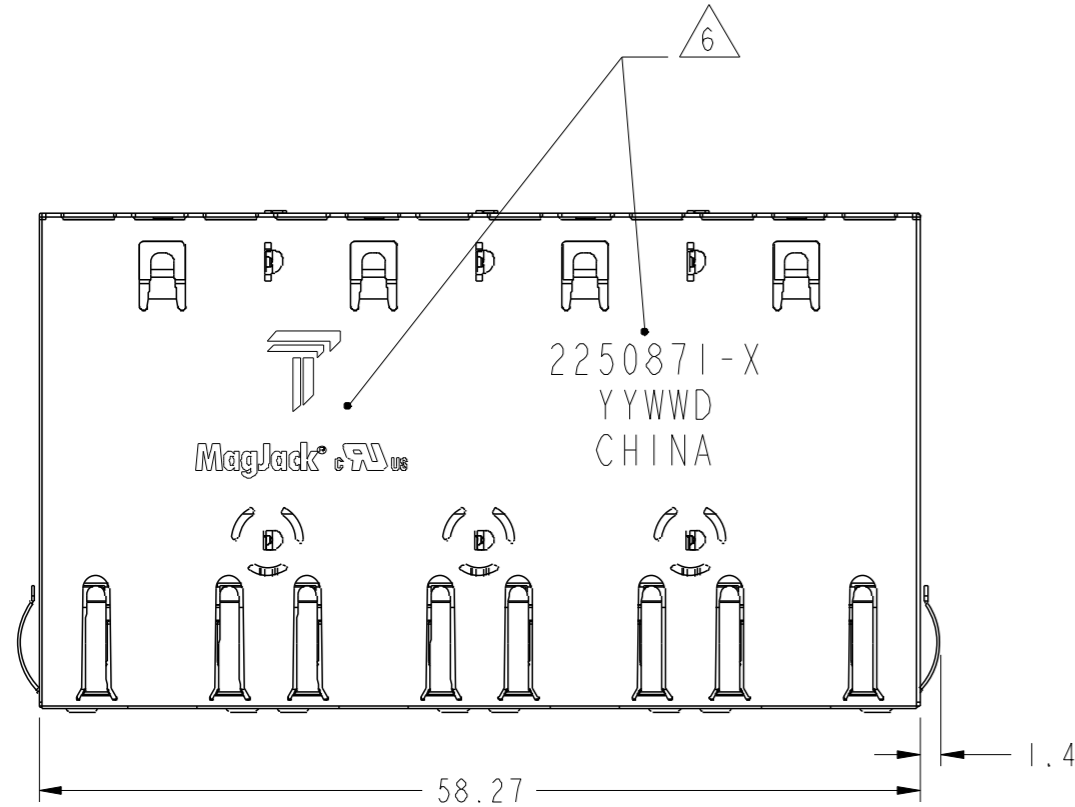


THIS DRAWING AND THE SUBJECT MATTER SHOWN THEREON ARE CONFIDENTIAL AND THE PROPERTY OF BEL/STEWART/TRP CONNECTOR AND SHALL NOT BE REPRODUCED, COPIED, OR USED IN ANY MANNER WITHOUT THE WRITTEN CONSENT OF TRP CONNECTOR.

PRODUCT MAY BE PROTECTED BY ONE OR MORE OF THE FOLLOWING US PATENTS:  
 5736910 5939955 6425781 6428361 6554638 6840817 7123117  
 7429195 7717749 7808751 6217391 6149050 7924130

REVISIONS				
P	LTR	DESCRIPTION	DATE	APVD
1		SEE FINAL SHEET	04AUG2023	TRY TYY



1. MATERIALS  
 HOUSING: THERMOPLASTIC, BLACK, FLAMMABILITY RATING UL 94V-0  
 SHIELD: BRASS, 0.20mm THICK, PREPLATED WITH MIN 0.76µm SEMI-BRIGHT NICKEL  
 POST DIPPED WITH 2.54µm MIN SAC SOLDER AT GROUND PINS.  
 CONTACT: PHOSPHOR BRONZE, 0.46mmX0.30mm  
 WITH 1.27µm MIN OVERALL NICKEL UNDERPLATE AND  
 SELECTIVE 1.27µm MIN GOLD PLATING AT MATING INTERFACE  
 SOLDER TAIL (LED AND SIGNAL): Ø0.45mm COPPER PLATED STEEL,  
 PLATED WITH 2.54µm MIN MATTE TIN  
 LIGHT PIPE: POLYCARBON, TRANSPARENT, RATING UL 94V-0  
 LED: SMD TYPE

2. MAGNETICS  
 - APPLICATION: 1G/10G BASE-T  
 - IMPEDANCE: 100 OHMS  
 - TURNS RATIO (CHIP:CABLE): 1:1 ALL FOUR PAIRS  
 - OPEN CIRCUIT INDUCTANCE(OCL): 160uH MIN @100kHz, 0.1VRMS,  
 8mADC BIAS FROM 0°C TO 70°C, ALL FOUR PAIRS.  
 - ALL FOUR PAIRS BI-DIRECTIONAL  
 - PERFORMANCE @ 25°C, PLEASE REFER TO SEPARATE SHEET.  
 - ISOLATION VOLTAGE: 2250VDC(MAX) FOR 60 SECS WITH A RISE TIME OF 500V/SEC,  
 WITH ALL PORTS CONNECTED

3. OPERATING TEMPERATURE: 0°C TO 70°C

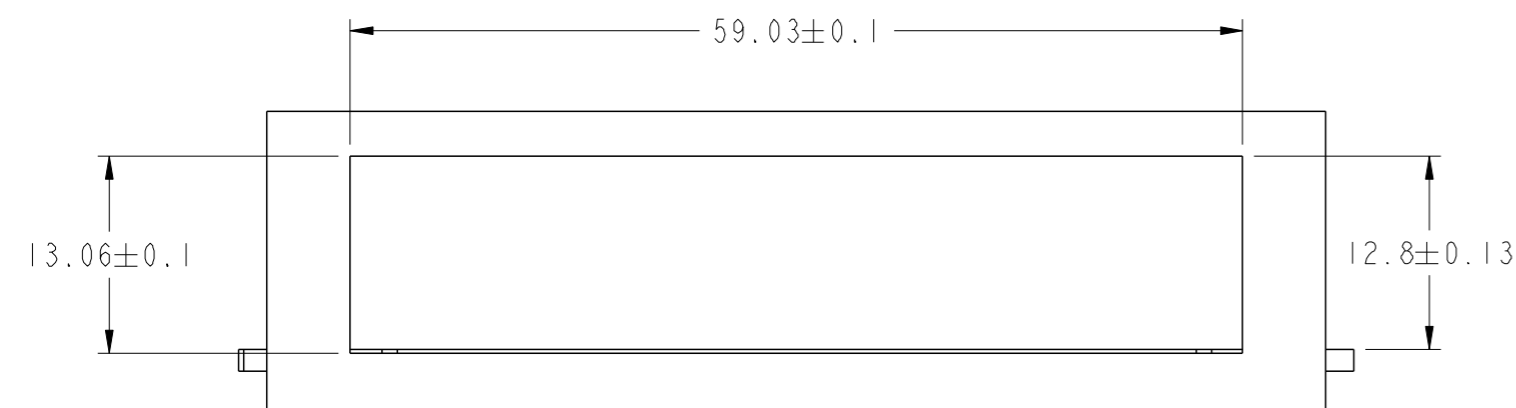
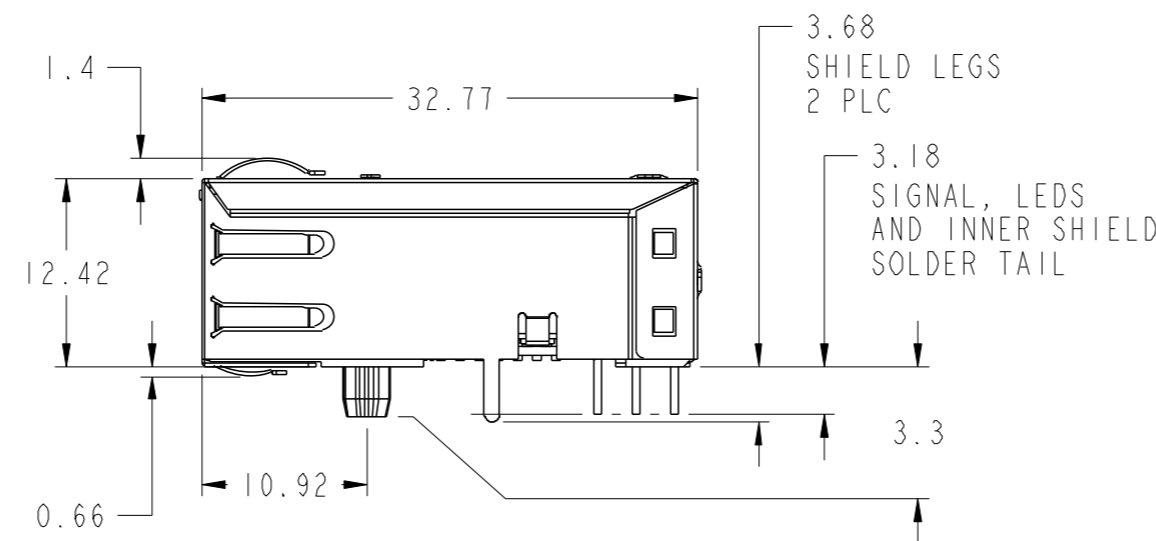
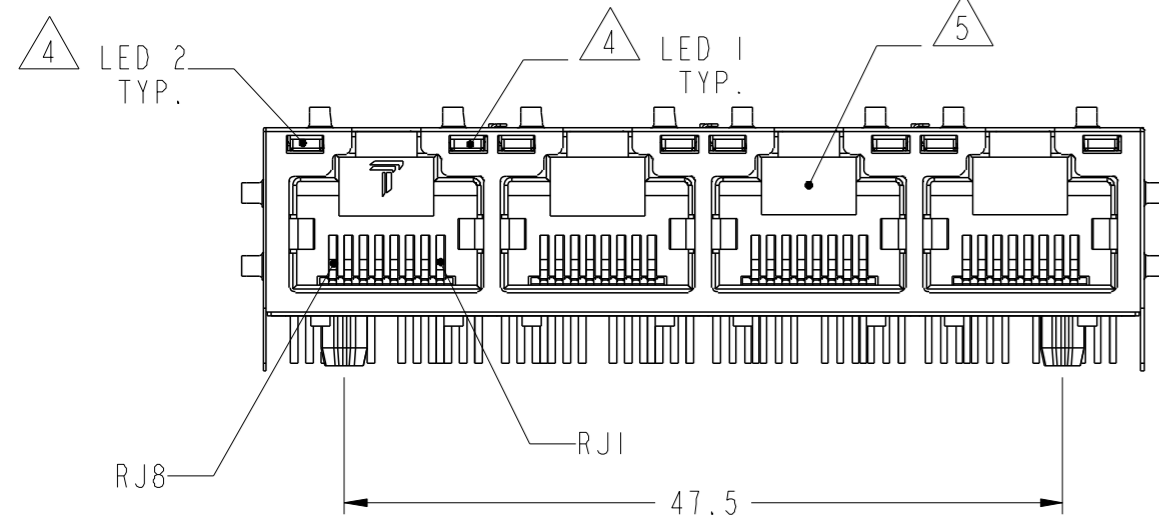
4. LEDs ARE DRIVEN WITH CONSTANT CURRENT AT APPROX 20mA.  
 LED COLOR: DOMINANT WAVELENGTH (λD): GREEN 568 nm TYP. at IF=20mA  
 FORWARD VOLTAGE (VF): GREEN 2.2V TYP. at IF=20mA  
 DOMINANT WAVELENGTH (λD): YELLOW 588 nm TYP. at IF=20mA  
 FORWARD VOLTAGE (VF): YELLOW 2.1V TYP. at IF=20mA

5. RJ45 CAVITY CONFORMS TO FCC RULES AND REGULATION PART 68 SUBPART F.

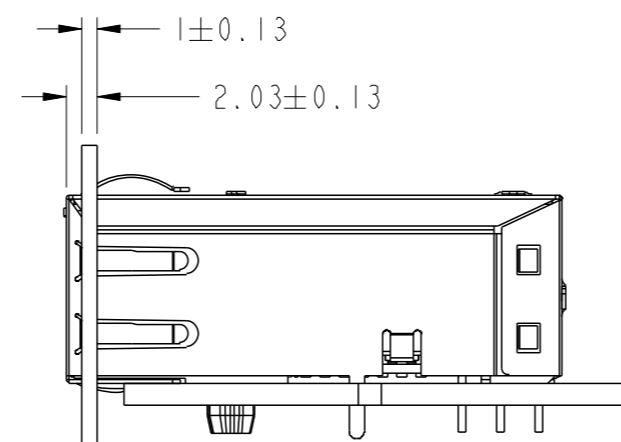
6. TRP CONNECTOR LOGO, PART NUMBER, DATE CODE, COUNTRY OF ORIGIN, AND AGENCY APPROVAL LOGO TO BE MARKED IN APPROPRIATE LOCATION SHOWN.  
 DATE CODE:YYWW WHERE YY IS YEAR, WW IS WORK WEEK, D IS DAY OF WEEK, WITH SUNDAY=1.

7. DATUM AND BASIC DIMENSION ESTABLISHED BY CUSTOMER.

8. PART IS RECOMMENDED FOR WAVE SOLDERING PROCESS, PEAK TEMPERATURE IS 260°C, 10 SECONDS MAX.



SUGGESTED PANEL CUTOUT



CONNECTOR ASSEMBLED TO PANEL AND PCB

THIS DRAWING IS A CONTROLLED DOCUMENT, AND COMPLIANT TO ASME Y14.5M		DWN	04AUG2023
DIMENSIONS: mm		CHK	04AUG2023
TOLERANCES UNLESS OTHERWISE SPECIFIED:		APVD	04AUG2023
0 PLC ±		MODEL NAME	
1 PLC ±0.25		MAGJACK	
2 PLC ±0.25		GANG NON-POE	
3 PLC ±0.25			
4 PLC ±			
ANGLES ±			
APPLICATION SPEC			

TOWER YU / XENIA WANG	04AUG2023
BILL LIU	04AUG2023
TONY YUAN	04AUG2023

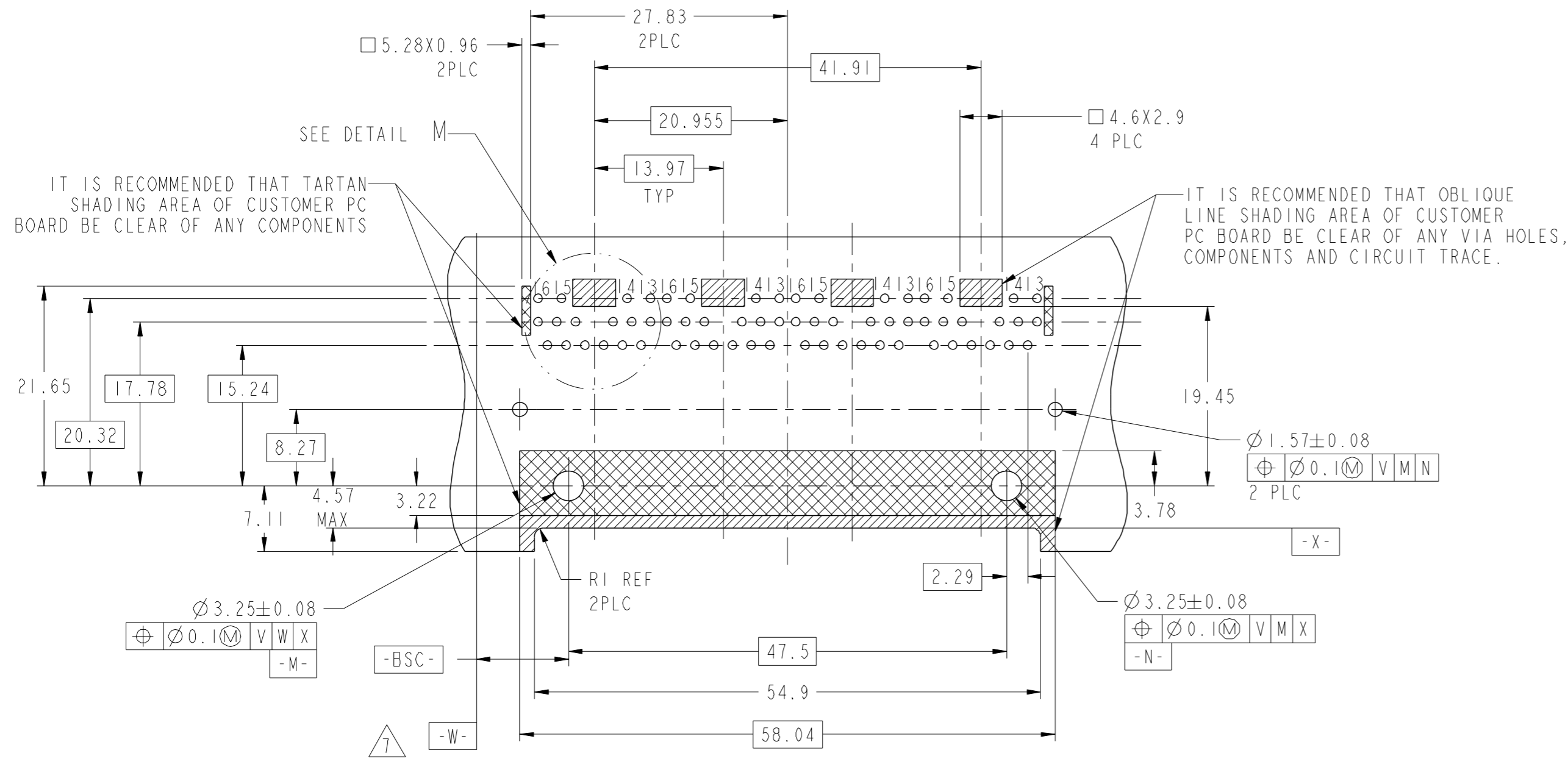
GREEN	YELLOW	GREEN	YELLOW	2250871-1
16	15	16	15	PART NUMBER
LED2		LED1		

**trp** CONNECTOR DONGGUAN CHINA  
 a bel group

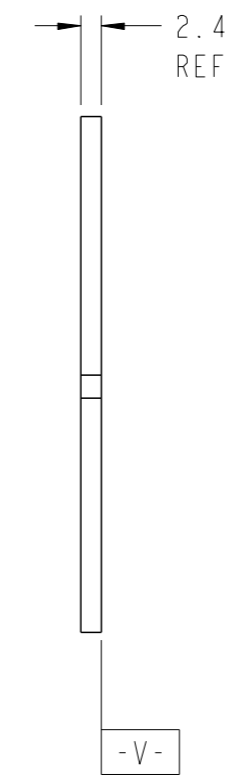
DESC: 1X4 1TG08L 10GIGABIT TAB UP, W/ LEDs

SIZE: A2 CAGE CODE: C=2250871 DRAWING NO: RESTRICTED TO: -

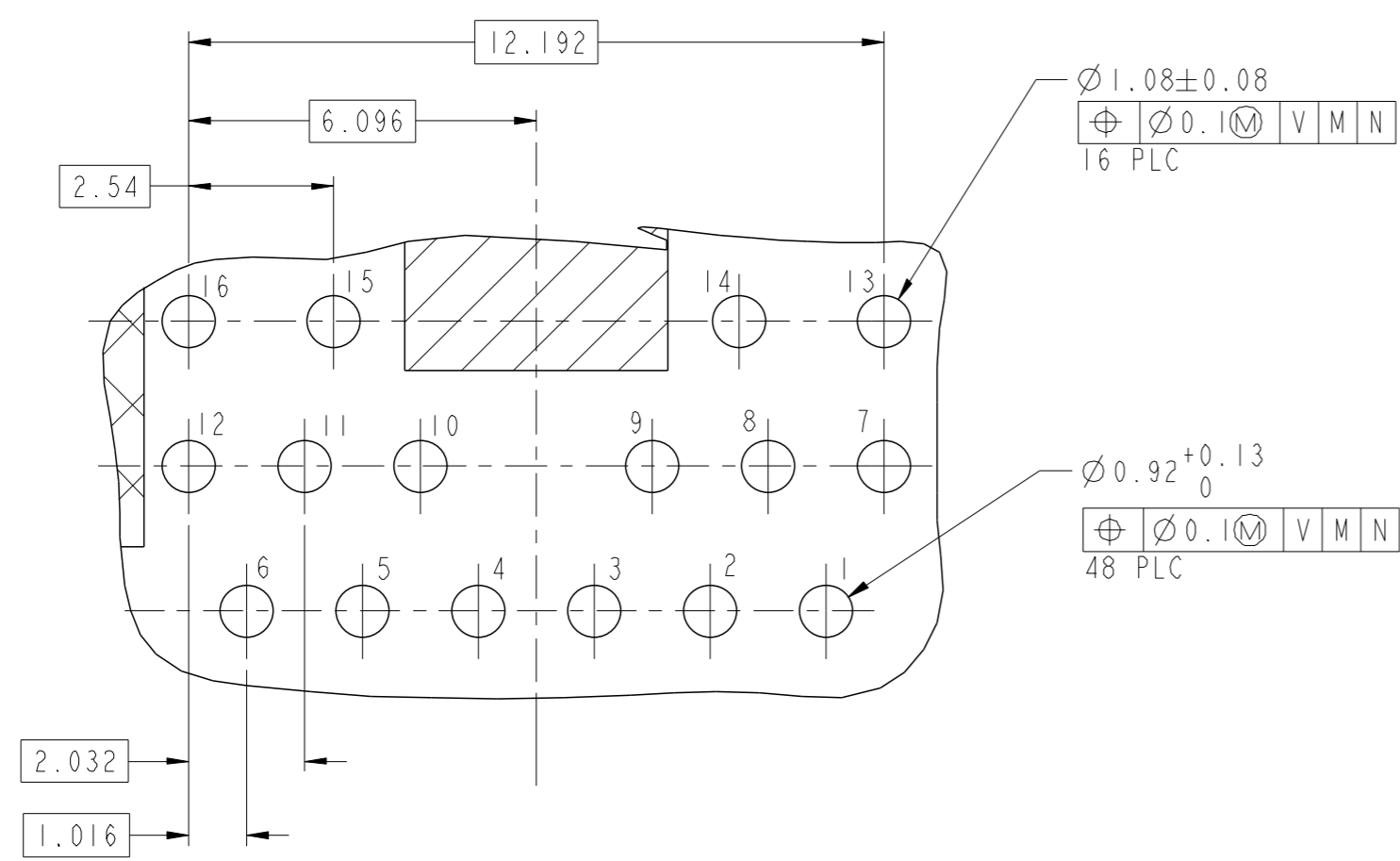
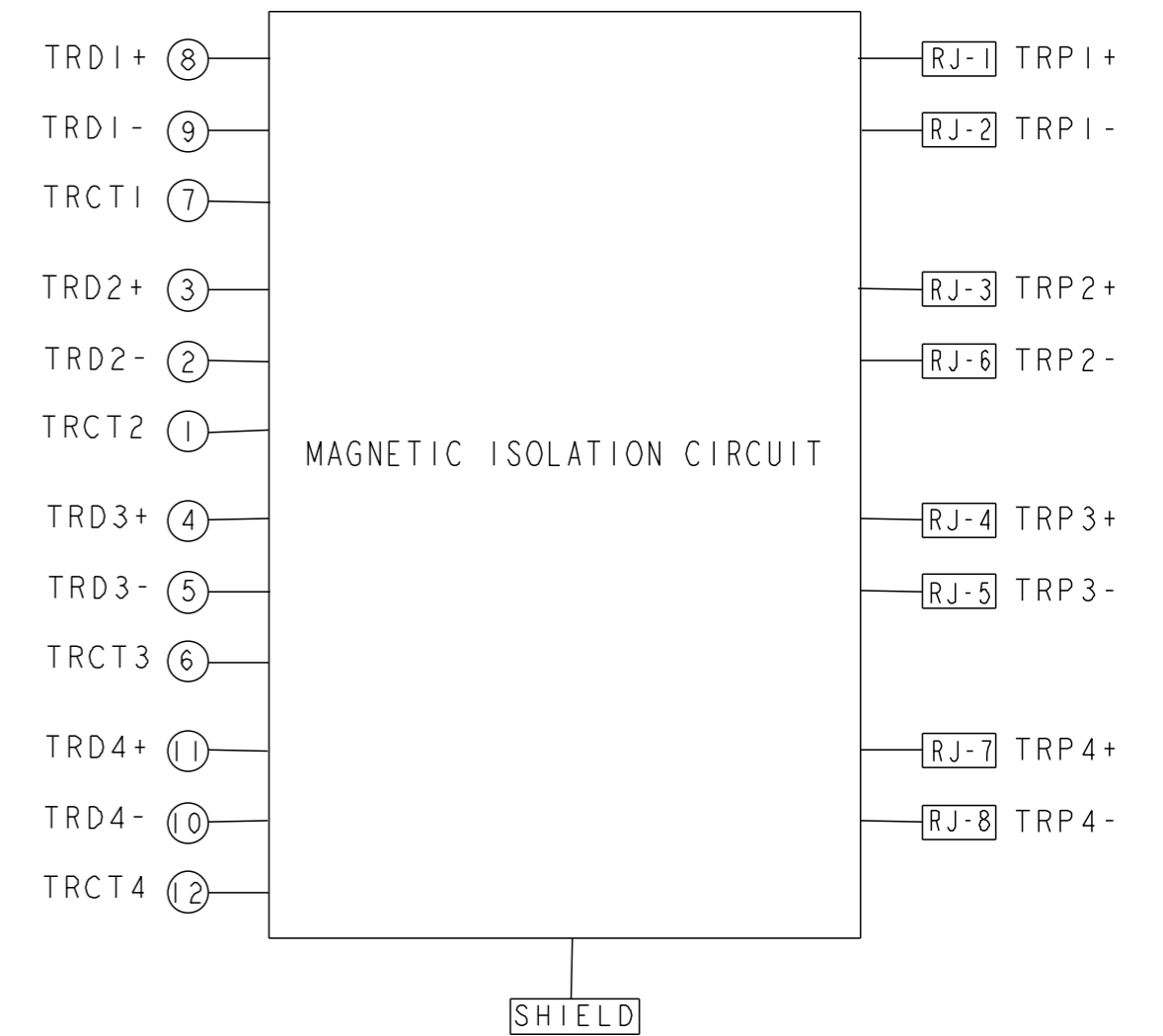
CUSTOMER DRAWING SCALE: NTS SHEET 1 OF 3 REV 1



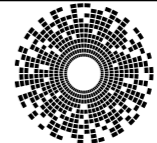
SUGGESTED PCB FOOTPRINT  
COMPONENT SIDE  
SCALE 2:1



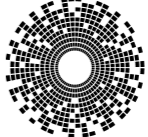
### ITG08L 10G BASE-T CIRCUIT



DETAIL M  
SCALE 8:1

THIS DRAWING IS A CONTROLLED DOCUMENT. AND COMPLIANT TO ASME Y14.5M		DWN TOWER YU / XENIA WANG 04AUG2023	 <b>trp</b> CONNECTOR a bel group DONGGUAN CHINA
DIMENSIONS: mm		CHK BILL LIU 04AUG2023	
TOLERANCES UNLESS OTHERWISE SPECIFIED:		APVD TONY YUAN 04AUG2023	DESC 1X4 ITG08L 10GIGABIT TAB UP, W/ LEDS
0 PLC ± 1 PLC ±0.25 2 PLC ±0.25 3 PLC ±0.25 4 PLC ± ANGLES ± APPLICATION SPEC		MODEL NAME MAGJACK GANG NON-POE	SIZE A2
PRODUCT SPEC			DRAWING NO C=2250871
		CUSTOMER DRAWING	
		SCALE NTS	SHEET 2 OF 3
		REV 1	

2250871_C						STOCK DISPOSITION			
						A:CONTINUE AS IS B:REWORK C:SCRAP		D:USE OLD FIRST E:PARTS TO CONFORM F:OTHER	
REVISION HISTORY									
DATE	REV	CHANGE	REASON	APPROVAL	INVENTORY (A,B,C,D,E,F)	WORK IN PROCESS (A,B,C,D)	SUPPLIER ORDERS (A,E,F)	OPEN CUST ORDERS (A,E,F)	
04AUG2023	I	-	INITIAL RELEASE	TONY YUAN	-	-	-	-	

THIS DRAWING IS A CONTROLLED DOCUMENT. AND COMPLIANT TO ASME Y14.5M		DWN TOWER YU / XENIA WANG 04AUG2023	 <b>trp</b> CONNECTOR a bel group	DONGGUAN CHINA	
DIMENSIONS: mm		CHK BILL LIU 04AUG2023		DESC 1X4 1TG08L 10GIGABIT TAB UP, W/ LEDS	
TOLERANCES UNLESS OTHERWISE SPECIFIED: 0 PLC ± 1 PLC ±0.25 2 PLC ±0.25 3 PLC ±0.25 4 PLC ± ANGLES ± APPLICATION SPEC		APVD TONY YUAN 04AUG2023	RESTRICTED TO -		
PRODUCT SPEC -		MODEL NAME MAGJACK GANG NON-POE	SIZE A2	CAGE CODE C=2250871	DRAWING NO -
CUSTOMER DRAWING			SCALE NTS	SHEET 3	OF 3 REV 1