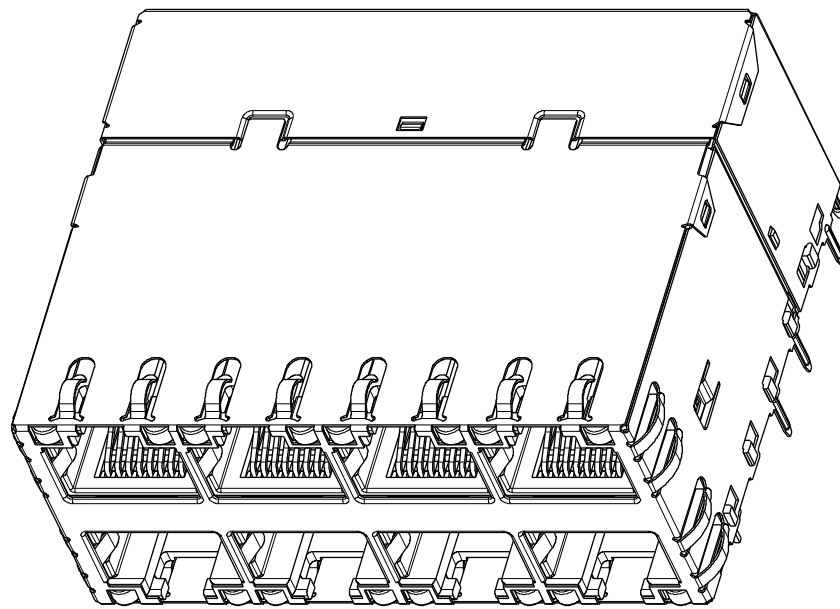


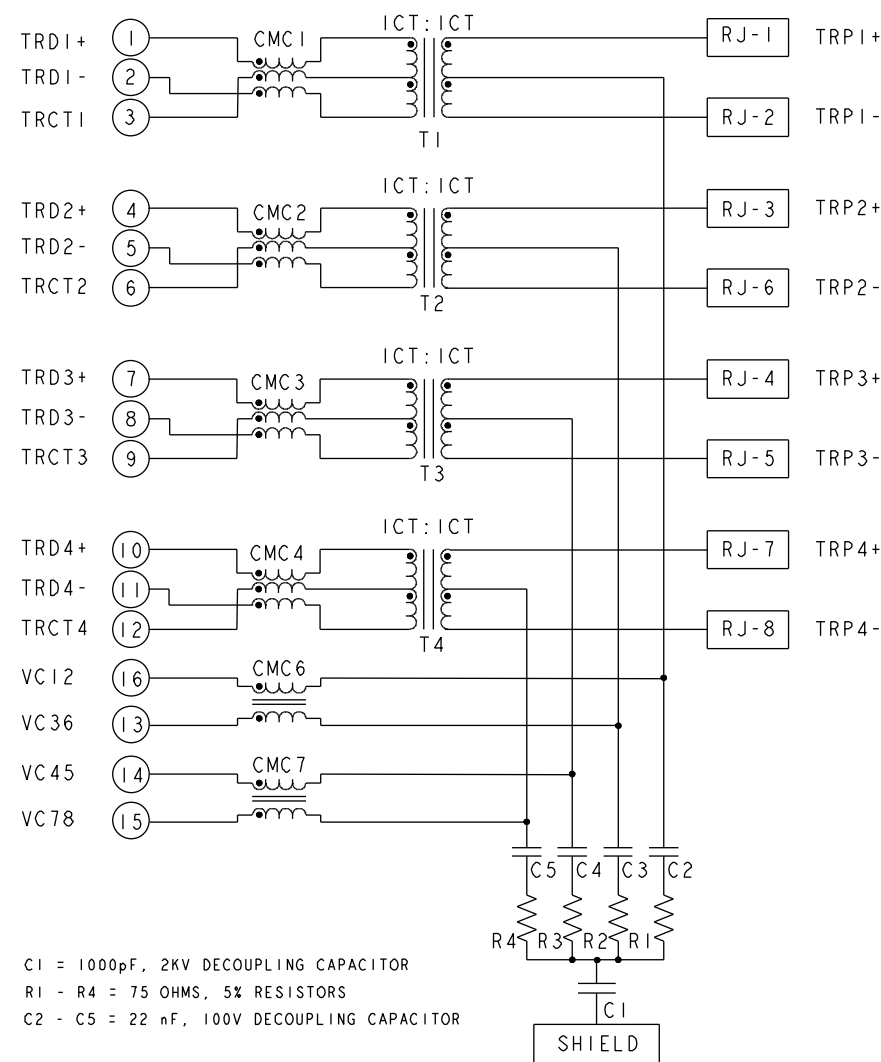
THIS DRAWING AND THE SUBJECT MATTER SHOWN THEREON ARE CONFIDENTIAL AND THE PROPERTY OF BEL/STEWART/TRP CONNECTOR AND SHALL NOT BE REPRODUCED, COPIED, OR USED IN ANY MANNER WITHOUT THE WRITTEN CONSENT OF TRP CONNECTOR.

PRODUCT MAY BE PROTECTED BY ONE OR MORE OF THE FOLLOWING US PATENTS:
 5736910 5939955 6425781 6428361 6554638 6840817 7123117
 7429195 7717749 7808751 6217391 6149050 7924130

REVISIONS				
#	DATE	DESCRIPTION	BY	APP'D
3	17JUN2021	OPTIMIZED DESIGN	CZ	TY



S9HTG06 10 GIGABIT 4PPOE CIRCUIT



C1 = 1000pF, 2KV DECOUPLING CAPACITOR
 R1 - R4 = 75 OHMS, 5% RESISTORS
 C2 - C5 = 22 nF, 100V DECOUPLING CAPACITOR

- MATERIALS
 HOUSING: THERMOPLASTIC, BLACK, FLAMMABILITY RATING UL 94V-0
 SHIELD: COPPER BASE ALLOY, PREPLATED WITH MIN 0.76um SEMI-BRIGHT NICKEL, OR 0.20mm THICK STAINLESS STEEL
 CONTACT: PHOSPHOR BRONZE, WITH 1.27um MIN OVERALL NICKEL UNDERPLATE AND SELECTIVE 1.27um MIN GOLD PLATING AT MATING INTERFACE
 LED: DIFFUSED EPOXY LENS, CARBON STEEL LEAD FRAME TAILS OF LED ARE PREPLATED WITH 2.03um MIN SILVER OVER 1.02um MIN NICKEL UNDERPLATE OVER 1.02um MIN COPPER UNDERPLATE. POST-PLATED WITH 2.54um MIN MATTE TIN AND/OR SAC SOLDER DIP OR PURE TIN SOLDER DIP

- MAGNETICS
 - APPLICATION: 1G/10G BASE-T, 4PPOE
 - IMPEDANCE: 100 OHMS
 - TURNS RATIO (CHIP:CABLE): 1:1 ALL FOUR PAIRS
 - OPEN CIRCUIT INDUCTANCE (OCL): 160uH MIN @100kHz, 0.1VRMS, FROM 0°C TO 70°C. 120uH MIN @100kHz, 0.1VRMS, 19mA DC BIAS FROM 0°C TO 70°C, ALL FOUR PAIRS
 - ALL FOUR PAIRS BI-DIRECTIONAL
 - PoE CURRENT: 600mADC
 - PERFORMANCE @ 25°C (WHERE f IS FREQUENCY IN MHZ):
 (a) RL (MAX)
 1 MHz - 40 MHz -18 dB
 40 MHz - 400 MHz -18 + 10lg (f/40)
 400 MHz - 500MHz -8 + 30lg (f/400)
 (b) IL (MIN)
 1MHz - 400MHz -0.5-1.3*(f-1)/400
 - ISOLATION VOLTAGE: 2250VDC(MAX) FOR 60 SECONDS WITH A RISE TIME OF 500V/SEC, WITH ALL PORTS CONNECTED.

THE MAGNETIC CIRCUIT ON ALL FOUR CHANNELS IS SYMMETRICAL AND SUPPORTS AUTO-MDIX OPERATION.

OPERATING TEMPERATURE: 0°C - 70°C.

DATUM Y AND BASIC DIMENSION ESTABLISHED BY CUSTOMER.

RJ45 CAVITY CONFORMS TO FCC RULES AND REGULATION PART 68 SUBPART F.

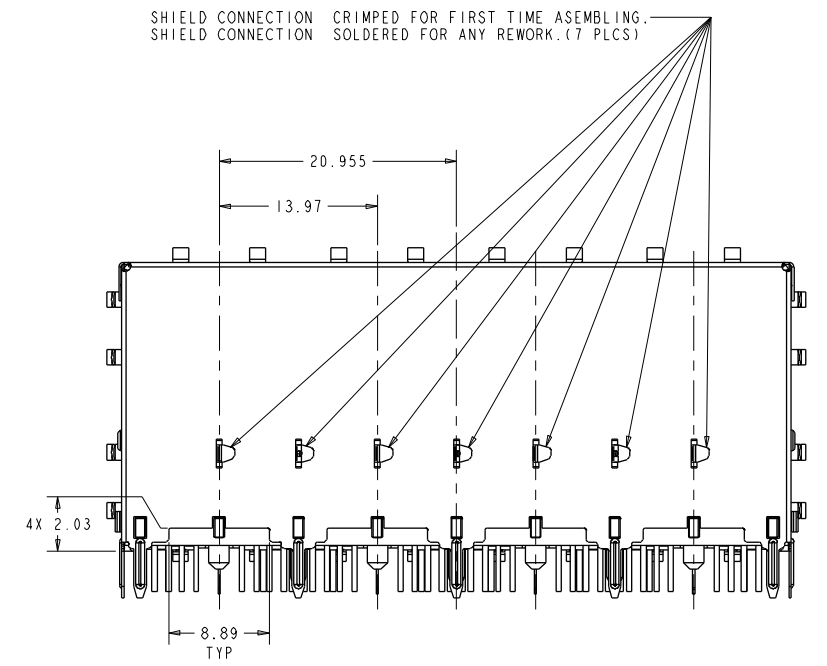
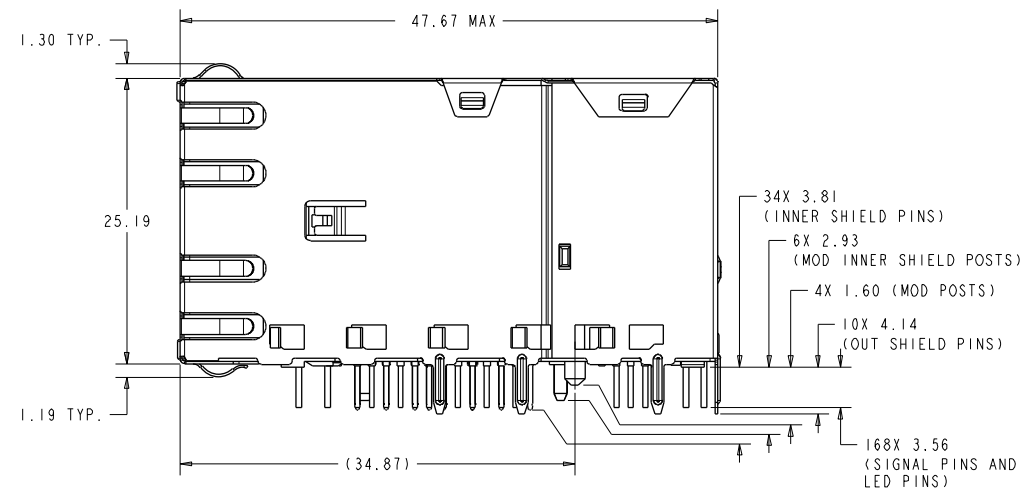
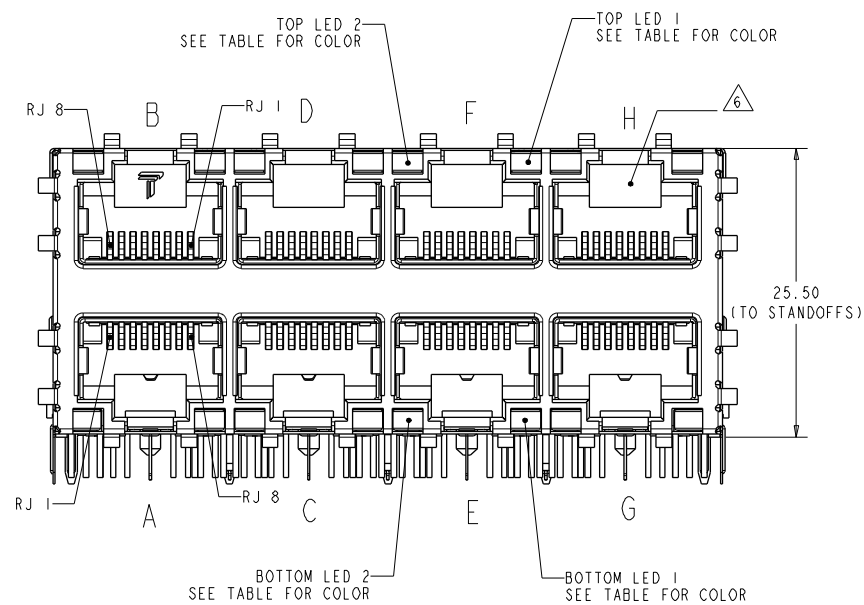
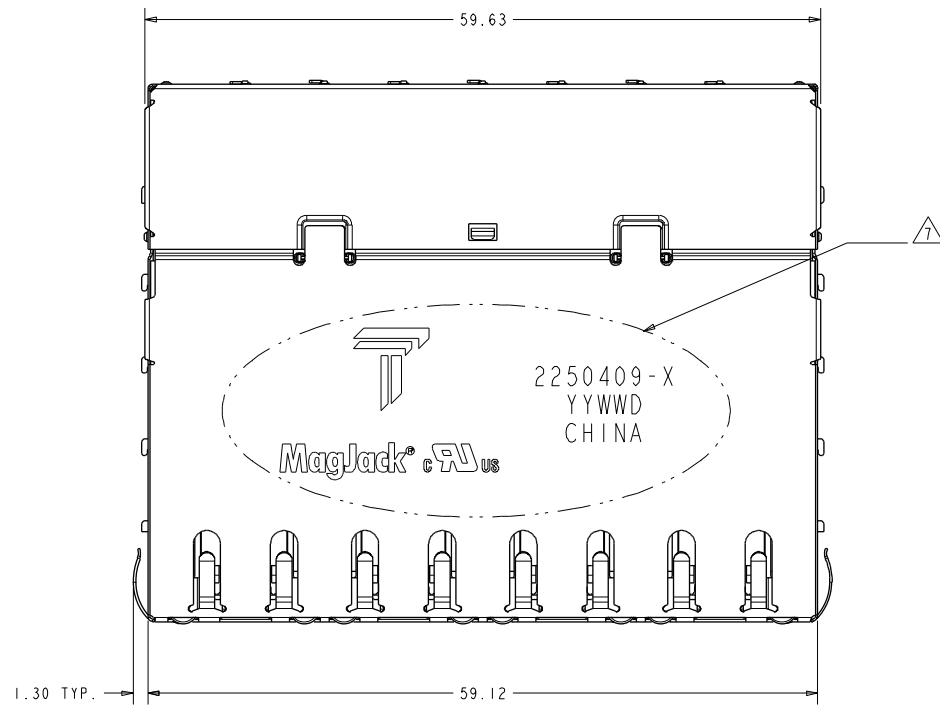
TRP CONNECTOR LOGO, PART NUMBER, DATE CODE, COUNTRY OF ORIGIN, AGENCY APPROVAL MARKING IN APPROPRIATE LOCATION SHOWN.
 DATE CODE: YYWW WHERE "YY" IS YEAR, "WW" IS WORK WEEK, "D" IS DAY OF WEEK, WITH SUNDAY= 1

PANEL SEATING LOCATION WITH RESPECT TO CUSTOMER PCB EDGE.

LEDS ARE DRIVEN WITH CONSTANT CURRENT AT APPROX 20mA
 LED COLOR: DOMINANT WAVELENGTH (λD): GREEN 568 nm TYP. @ IF=20mA
 FORWARD VOLTAGE (VF): GREEN 2.2V TYP. @ IF=20mA
 DOMINANT WAVELENGTH (λD): YELLOW 588 nm TYP. @ IF=20mA
 FORWARD VOLTAGE (VF): YELLOW 2.1V TYP. @ IF=20mA

THE PARTS ARE RECOMMENDED FOR WAVE SOLDERING PROCESS,
 PEAK TEMPERATURE 260°C MAX, 10 SECONDS MAX.

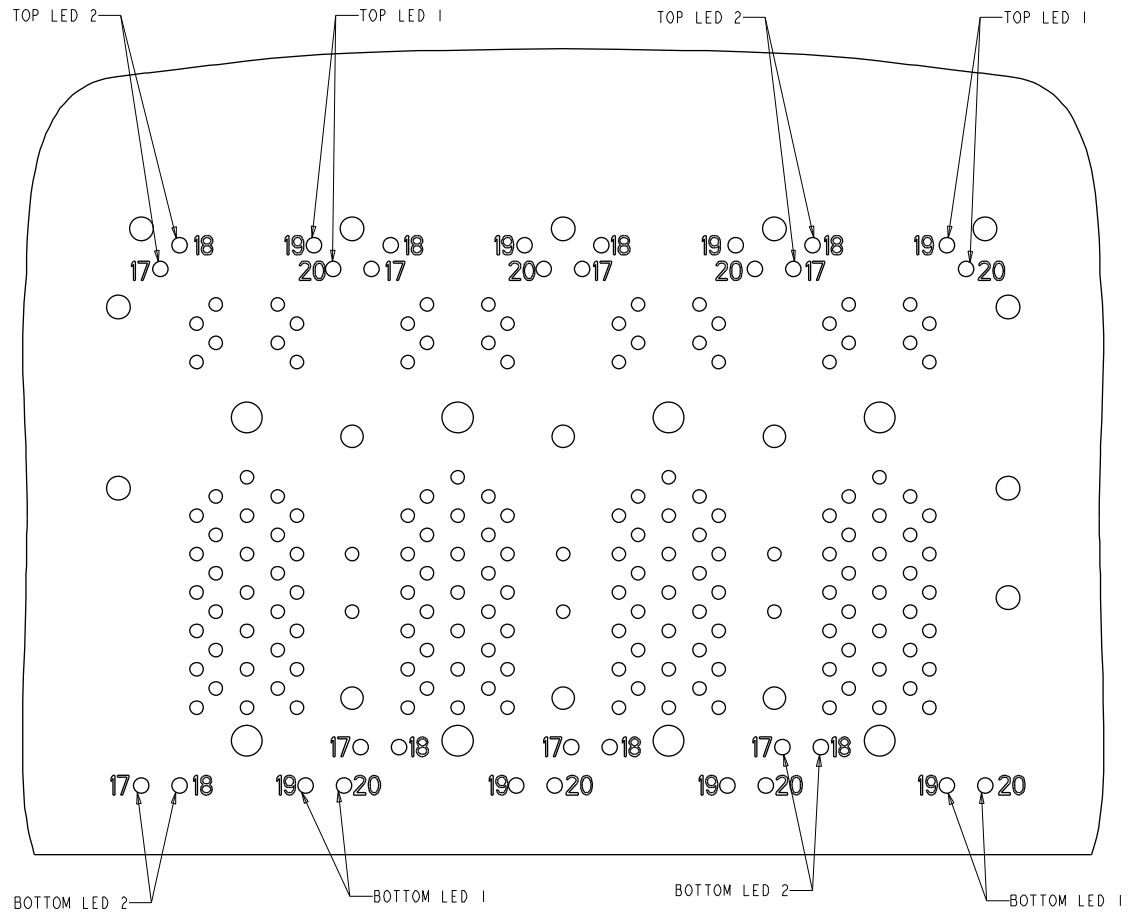
GREEN/YELLOW	GREEN/YELLOW	GREEN/YELLOW	GREEN/YELLOW	2250409-1
BOTTOM LED 2	BOTTOM LED 1	TOP LED 2	TOP LED 1	PART NUMBER
THIS DRAWING IS A CONTROLLED DOCUMENT. AND COMPLIANT TO ASME Y14.5M DIMENSIONS: mm TOLERANCES UNLESS OTHERWISE SPECIFIED: 0 PLC ±0.25 1 PLC ±0.25 2 PLC ±0.25 3 PLC ± 4 PLC ± ANGLES ± PRODUCT SPEC 108-104004 APPLICATION SPEC -				
DWN TOMMY REN 06MAY2016 CHK BILL LIU 06MAY2016 APD TONY YUAN 06MAY2016 MODEL NAME MAGJACK STACK 4PPOE		TRP CONNECTOR DONGGUAN CHINA DESC 2X4 S9HTG06 10G CIRCUIT, WITH LED SIZE A1 CAGE CODE DRAWING NO. ©=2250409 RESTRICTED TO CUSTOMER DRAWING SCALE 4:1 SHEET 1 OF 5 REV 3		



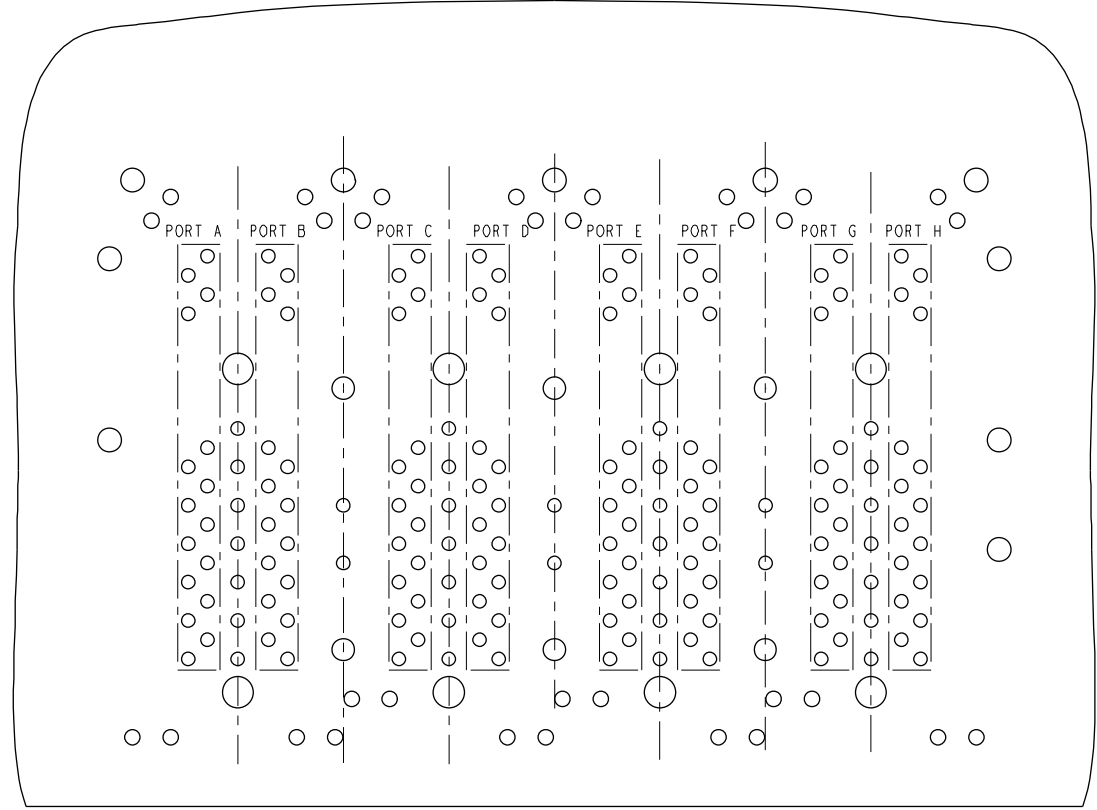
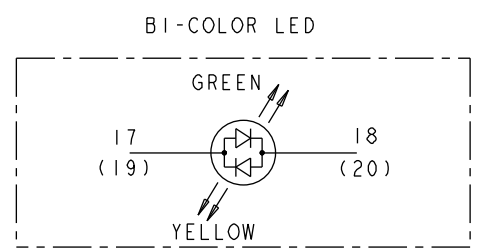
THIS DRAWING IS A CONTROLLED DOCUMENT. AND COMPLIANT TO ASME Y14.5M

DIMENSIONS: mm 	TOLERANCES UNLESS OTHERWISE SPECIFIED: 0 PLC ±0.25 1 PLC ±0.25 2 PLC ±0.25 3 PLC ±0.25 4 PLC ± ANGLES ± APPLICATION SPEC	DWN TOMMY REN 06MAY2016 CHK BILL LIU 06MAY2016 APD TONY YUAN 06MAY2016 MODEL NAME MAGJACK STACK 4PPoE	DESC 2X4 S9HTG06 10G CIRCUIT, WITH LED SIZE A1 CAGE CODE DRAWING NO. ©=2250409 RESTRICTED TO CUSTOMER DRAWING	SCALE 4:1 SHEET 2 OF 5 REV 3
-----------------------	---	--	--	------------------------------------

trp CONNECTOR DONGGUAN CHINA



LED HOLE DESIGNATIONS
VIEWED FROM COMPONENT SIDE
SCALE 4:1



PORT ASSIGNMENT
VIEWED FROM COMPONENT SIDE
SCALE 4:1

THIS DRAWING IS A CONTROLLED DOCUMENT. AND COMPLIANT TO ASME Y14.5M		DWN TOMMY REN 06MAY2016 CHK BILL LIU 06MAY2016 APD TONY YUAN 06MAY2016	DONGGUAN CHINA
DIMENSIONS: mm	TOLERANCES UNLESS OTHERWISE SPECIFIED: 0 PLC ±0.25 1 PLC ±0.25 2 PLC ±0.25 3 PLC ± 4 PLC ± ANGLES ±	MODEL NAME MAGJACK STACK 4PPoE	
PRODUCT SPEC 108-104004	APPLICATION SPEC -	SIZE A1 CAGE CODE DRAWING NO. ©=2250409 CUSTOMER DRAWING	RESTRICTED TO - SCALE 4:1 SHEET 4 OF 5 REV 3

2250409					STOCK DISPOSITION			
					A: CONTINUE AS IS		D: USE OLD FIRST	
					B: REWORK		E: PARTS TO CONFORM	
					C: SCRAP		F: OTHER	
REVISION HISTORY								
DATE	REV	CHANGES	REASON	APPROVAL	INVENTORY (A,B,C,D,E,F)	WORK IN PROCESS (A,B,C,F)	SUPPLIER ORDERS (A,E,F)	OPEN CUST ORDERS (A,E,F)
06MAY2016	1	-	INITIAL RELEASE	TONY YUAN	-	-	-	-
12MAY2016	2	DRAWING SCHEMATIC CHANGED FROM S9HTG03 TO S9HTG06 (I.E. REMOVE 5TH CHANNEL)	CUSTOMER REQUIREMENT	TONY YUAN	-	-	-	-
17JUN2021	3	REMOVE EMI FLANGE AND GASKET	OPTIMIZED DESIGN	TONY YUAN	-	-	-	-

THIS DRAWING IS A CONTROLLED DOCUMENT.
AND COMPLIANT TO ASME Y14.5M

DW	TOMMY REN	06MAY2016
CHK	BILL LIU	06MAY2016
APP'D	TONY YUAN	06MAY2016

TRP CONNECTOR
a bel group
DONGGUAN CHINA

MODEL NAME	MAGJACK
DESC	2X4 S9HTG06 10G CIRCUIT, WITH LED
SIZE	A1
CAGE CODE	
DRAWING NO	©=2250409
RESTRICTED TO	-

PRODUCT SPEC	108-104004
APPLICATION SPEC	-

CUSTOMER DRAWING

SCALE 4:1 SHEET 5 OF 5 REV 3