

THE INFORMATION CONTAINED HEREIN IS CONSIDERED "PROPRIETARY" TO BEL FUSE INC. AND SHALL NOT BE COPIED, REPRODUCED OR DISCLOSED WITHOUT THE WRITTEN APPROVAL OF BEL FUSE INC.

LED 2 & 4 POLARITY		LED 1 & 3 POLARITY	
PIN 11	PIN 12	PIN 13	PIN 14
-	+	-	+
+	-	+	-
YELLOW	GREEN	YELLOW	GREEN

PRELIMINARY



ELECTRICAL CHARACTERISTICS @ 25°C

URNS RATIO

TP1	TP2	TP3	TP4
1CT : 1CT	1CT : 1CT	1CT : 1CT	1CT : 1CT
±2%	±2%	±2%	±2%

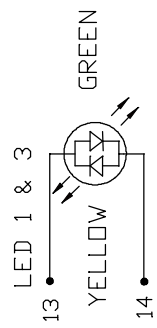
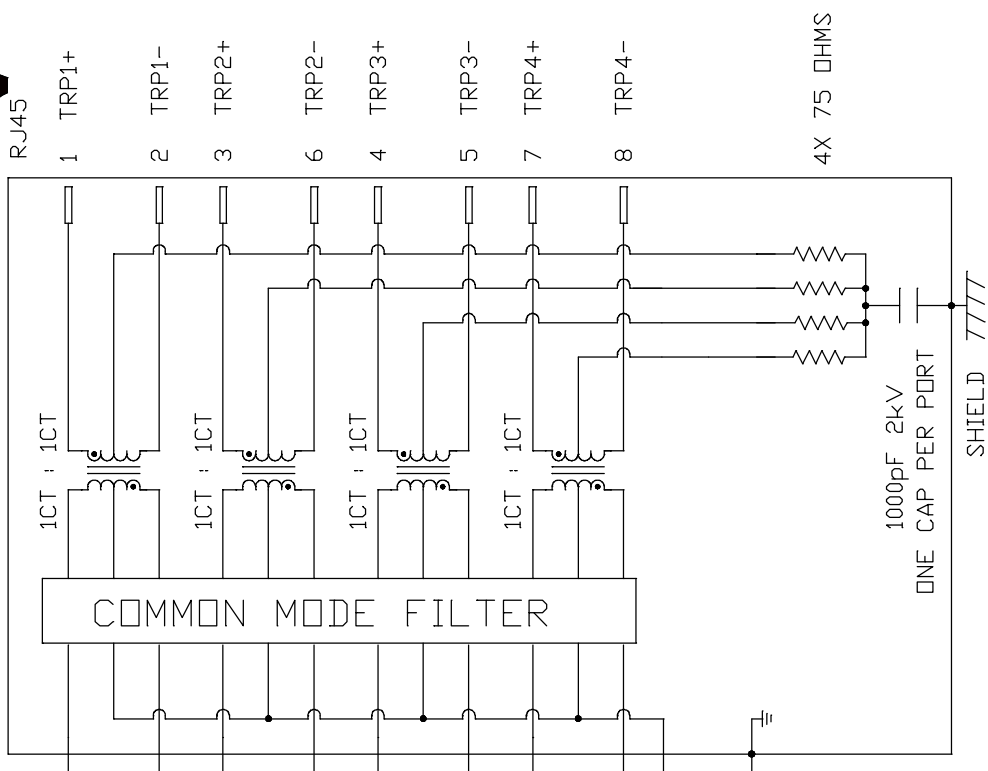
DCL @ 100kHz/100mVRMS (-40°C - 85°C) 180µH MIN.

INS. LOSS	RET. LOSS	CROSSTALK	CM TO CM REJ
1MHz TO 150MHz	1MHz-40MHz	1MHz - 40MHz	1MHz - 150MHz
-0.004<(fMHz)>-0.4 dB MAX	-20 dB MIN	-35 dB MIN	-25 dB MIN
	-20+15LOG<(f/40MHZ)> dB MIN	-35+15LOG<(f/40MHZ)> dB MIN	

HIPOT (Isolation Voltage): 2250 VDC
 100% OF PRODUCTION TESTED TO COMPLY WITH IEEE 802.3 ISOLATION REQUIREMENTS.

NOTE: PORT-TO-PORT ISOLATION NOT INCLUDED.
 LEDS 1, 2, 3 AND 4 VF (FORWARD VOLTAGE) IF=20mA GREEN 2.2V TYP., YELLOW 2.1V TYP., AD (DOMINANT WAVELENGTH) IF=20mA GREEN 570nm TYP., YELLOW 590nm TYP.
 OPERATING TEMPERATURE: -40°C TO +85°C.

SCHEMATIC

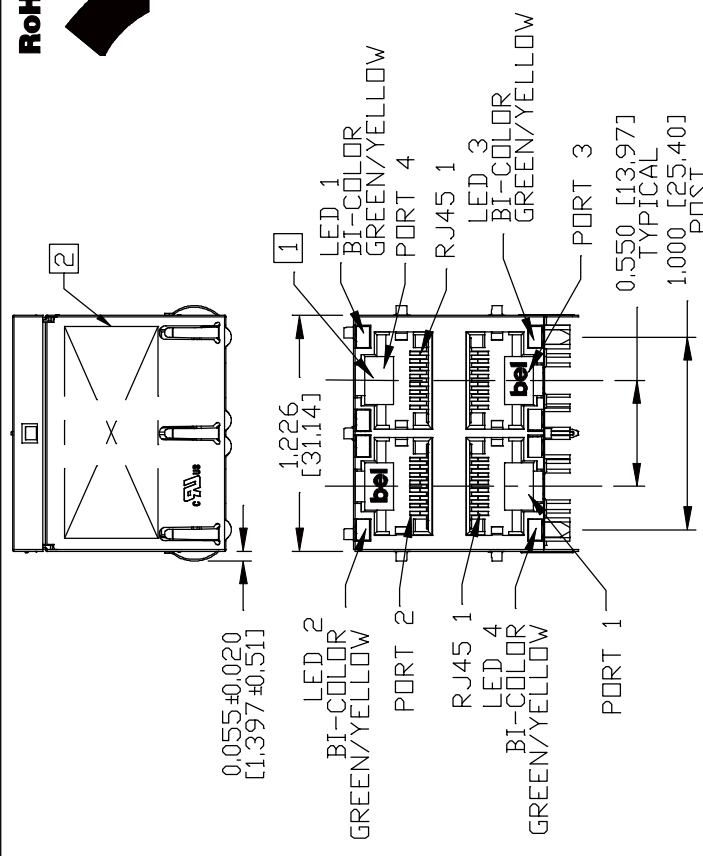
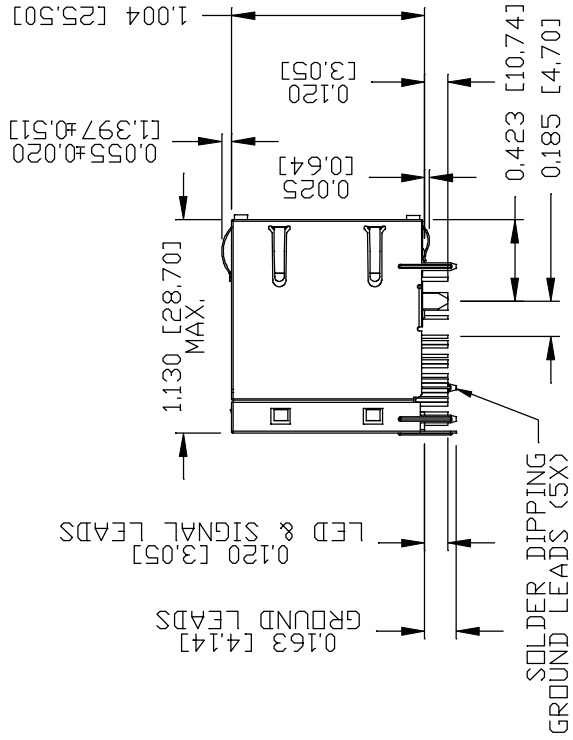


ORIGINATED BY CHOW WANCHUNG	PART NO. / DRAWING NO. 0879-2C2J-JE	STANDARD DIM. TOL. IN INCH .X	[] METRIC DIM. AS REF.
DATE 2021-03-29	FILE NAME 0879-2C2J-JE_2.DWG	UNIT : INCH [mm] SCALE : N/A	SIZE : A4
DRAWN BY TANG YUAN	TITLE 2X2 2.5 gigabit MoGJack® WITH UPPER AND LOWER LED (8 Cores, Extended Temp.) PATENTED		
DATE 2021-03-29			

DC002(2)120214 This document is electronically generated. This is a controlled copy if used internally

THE INFORMATION CONTAINED HEREIN IS CONSIDERED "PROPRIETARY" TO BEL FUSE, INC. AND SHALL NOT BE COPIED, REPRODUCED OR DISCLOSED WITHOUT THE WRITTEN APPROVAL OF BEL FUSE INC.

PRELIMINARY



NOTES:

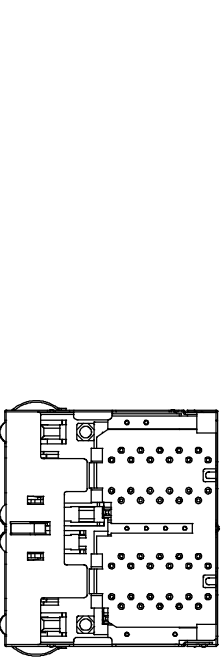
1. JACK CAVITY CONFORMS TO FCC RULES AND REGULATIONS, PART 68 SUBPART F.

2. MARK PART WITH MFG LOGO, MFG NAME, PART NUMBER, DATE CODE AND PATENTED.

3. THE PRODUCT IS RoHS COMPLIANT.

4. THE PRODUCT IS PATENTED, THE PATENT NUMBER ARE U.S. PAT. 6,840,817 AND U.S. PAT. 7,123,117.

5. THE PART IS RECOMMENDED FOR WAVE SOLDERING, THE SUGGESTED PEAK WAVE SOLDERING CONDITION IS 260°C MAX AND 10 SECONDS MAX.



ORIGINATED BY SANDY LIN		PART NO. / DRAWING NO. 0879-2C2J-JE		STANDARD DIM. TOL. IN INCH AS REF.		REV. : 2		PAGE : 3	
DATE 2021-03-29		FILE NAME 0879-2C2J-JE_2.DWG		UNIT : INCH [mm] SCALE : N/A					
TITLE 2X2 2.5 gigabit MoGJack® WITH UPPER AND LOWER LED (8 Cores, Extended Temp.) PATENTED		FILE NAME 0879-2C2J-JE_2.DWG		SIZE : A4		bel a bel group		MAGNETIC SOLUTIONS	
DRAWN BY RUAN WENJUN		FILE NAME 0879-2C2J-JE_2.DWG		SCALE : N/A		SIZE : A4		bel a bel group	
DATE 2021-03-29		FILE NAME 0879-2C2J-JE_2.DWG		SCALE : N/A		SIZE : A4		bel a bel group	

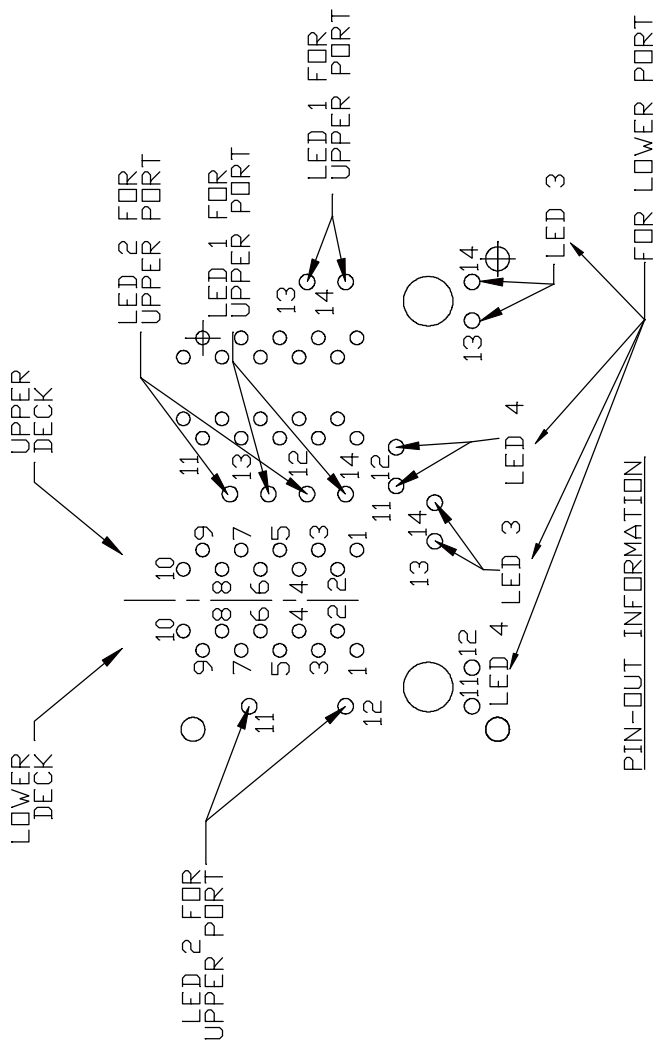
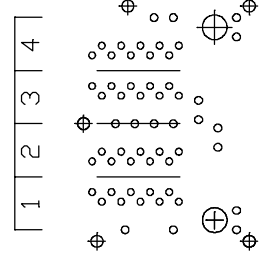
This document is electronically generated. This is a controlled copy if used internally

THE INFORMATION CONTAINED HEREIN IS CONSIDERED "PROPRIETARY" TO BEL FUSE INC. AND SHALL NOT BE COPIED, REPRODUCED OR DISCLOSED WITHOUT THE WRITTEN APPROVAL OF BEL FUSE INC.

RoHS

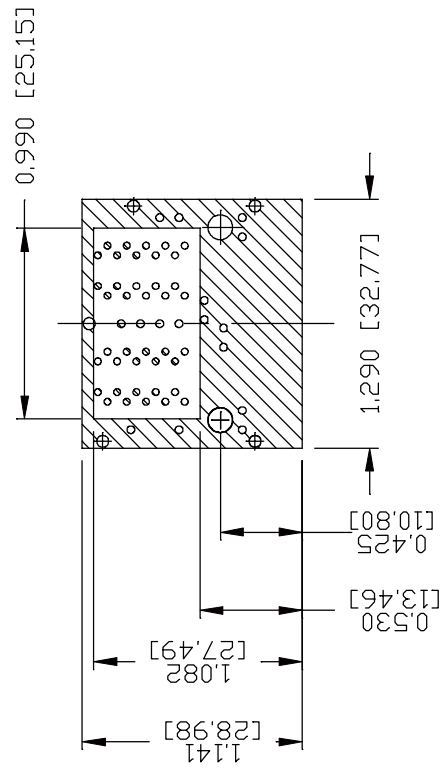
PRELIMINARY

PORT ASSIGNMENT
(COMPONENT SIDE VIEW)



PIN-OUT INFORMATION
(COMPONENT SIDE VIEW)

10	GND
9	TRDCT1/2/3/4
8	TRD 4+
7	TRD 4-
6	TRD 3+
5	TRD 3-
4	TRD 2+
3	TRD 2-
2	TRD 1+
1	TRD 1-
14	GREEN (-) YELLOW (+)
13	GREEN (+) YELLOW (-)
12	GREEN (-) YELLOW (+)
11	GREEN (+) YELLOW (-)

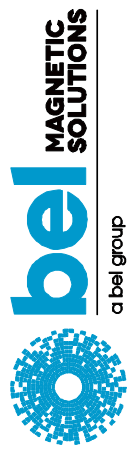


THE SHADED AREA ON THE CUSTOMER BOARD ARE RECOMMENDED TO BE CLEAR OFF ANY VIA HOLE OR COMPONENT PAD.

REV. : 2 PAGE : 4

ORIGINATED BY SANDY LIN	DATE 2021-03-29	DRAWN BY RUAN WENJUN	DATE 2021-03-29
TITLE 2X2 2.5 GIGABIT MagJack® WITH UPPER AND LOWER LED (8 Cores, Extended Temp.) PATENTED		PART NO. / DRAWING NO. 0879-2C2J-JE	
FILE NAME 0879-2C2J-JE_2.DWG		STANDARD DIM. TOL. IN INCH [] METRIC DIM. AS REF.	
UNIT : INCH [mm]		SCALE : N/A	
SIZE : N/A		SIZE : A4	

DC002(2)120214 This document is electronically generated. This is a controlled copy if used internally

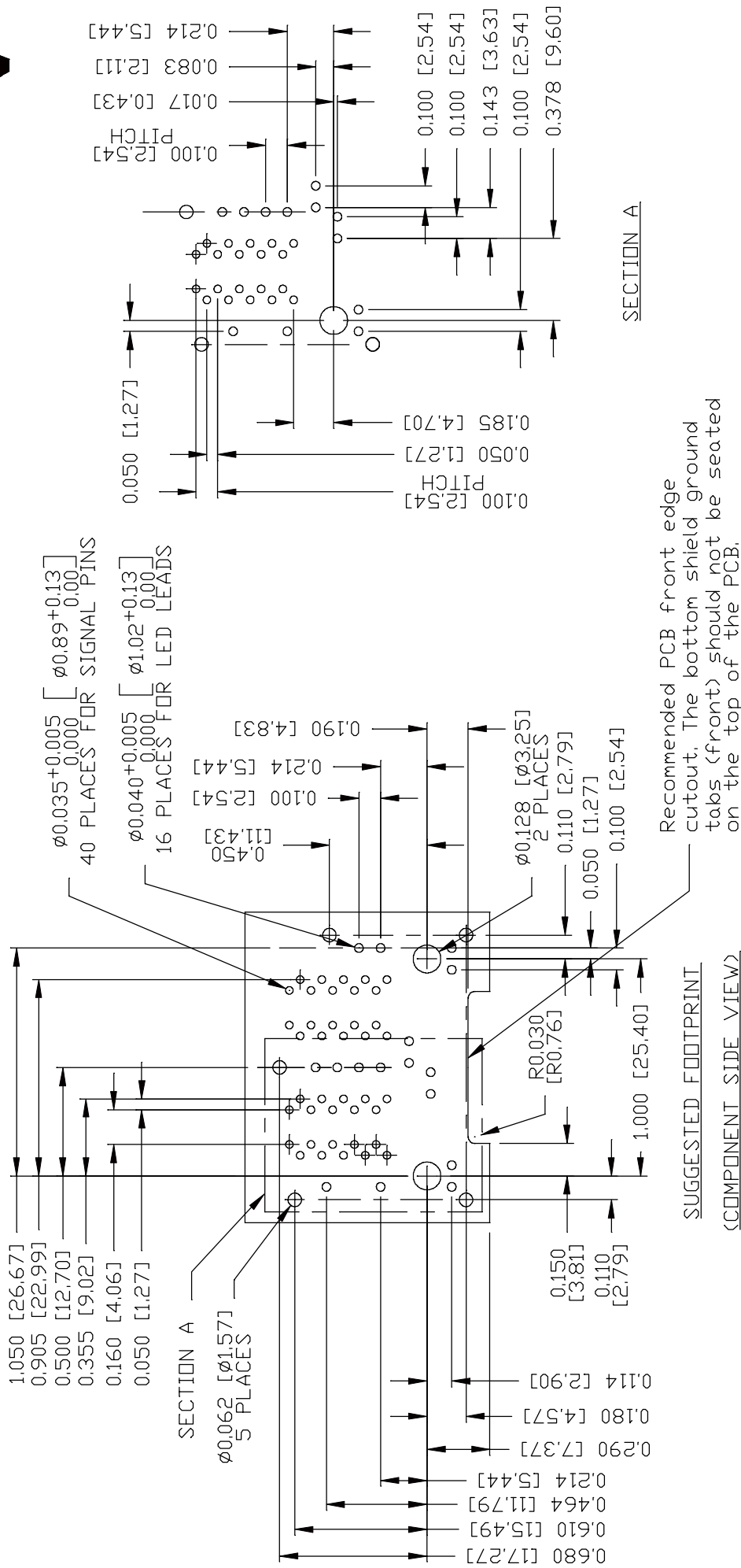


MAGNETIC SOLUTIONS
a bel group

THE INFORMATION CONTAINED HEREIN IS CONSIDERED "PROPRIETARY" TO BEL FUSE INC. AND SHALL NOT BE COPIED, REPRODUCED OR DISCLOSED WITHOUT THE WRITTEN APPROVAL OF BEL FUSE INC.



PRELIMINARY



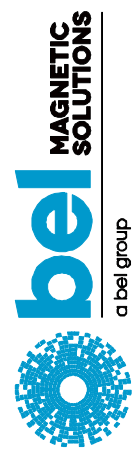
SUGGESTED FOOTPRINT
(COMPONENT SIDE VIEW)

SECTION A

ORIGINATED BY SANDY LIN	TITLE 2X2 2.5 gigabit MagJack® WITH UPPER AND LOWER LED (8 Cores, Extended Temp.) PATENTED	PART NO. / DRAWING NO. 0879-2C2J-JE	STANDARD DIM. TOL. IN INCH .X .XX .XXX	[] METRIC DIM. AS REF.	REV. : 2	PAGE : 5
DATE 2021-03-29		FILE NAME 0879-2C2J-JE_2.DWG	UNIT : INCH [mm]			
DRAWN BY RUAN WENJUN			SCALE : N/A			
DATE 2021-03-29			SIZE : A4			

This document is electronically generated. This is a controlled copy if used internally

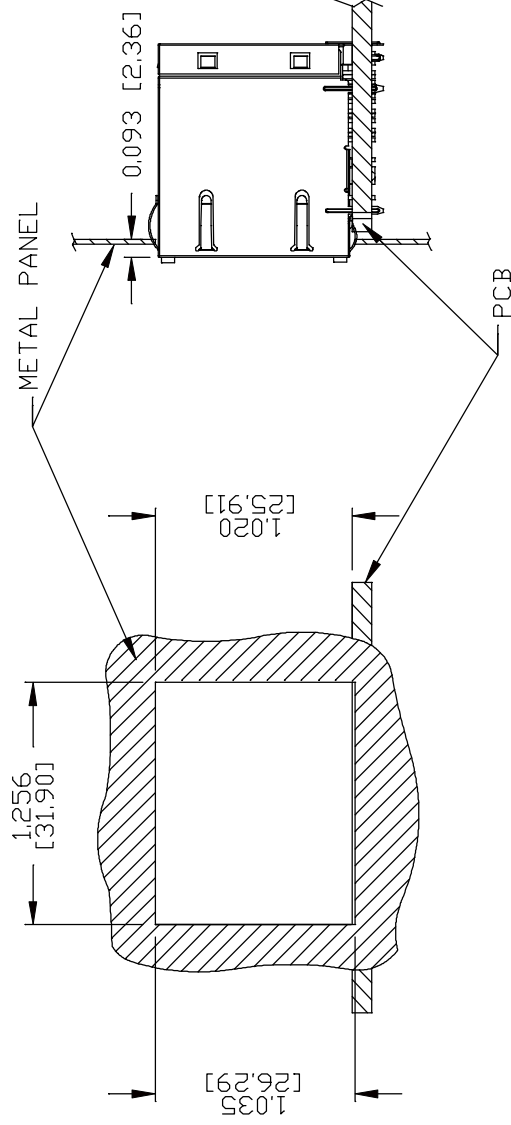
DC002(2)120214



THE INFORMATION CONTAINED HEREIN IS CONSIDERED "PROPRIETARY" TO BEL FUSE INC. AND SHALL NOT BE COPIED, REPRODUCED OR DISCLOSED WITHOUT THE WRITTEN APPROVAL OF BEL FUSE INC.

SUGGESTED PANEL OPENING

PRELIMINARY



NOTE:

THE DISTANCE OF PANEL INSIDE SURFACE RELATIVE TO FRONT SURFACE OF PART IS ONLY A SUGGESTION. IN CASE THIS DISTANCE IS DIFFERENT, THE REQUIRED PANEL OPENING DIMENSIONS CHANGE ACCORDINGLY.

PACKING INFORMATION

PACKING TRAY : 0200-9999-P5 (TOP)
0200-9999-P6 (BOTTOM)

PACKING QUANTITY : 28 PCS FINISHED GOODS PER TRAY

7 TRAYS (196 PCS FINISHED GOODS) PER CARTON BOX

NOTE : CARDBOARDS ARE PLACED BETWEEN LAYERS OF PACKING TRAY INSIDE CARTON BOX (INCLUDE THE UPPERMOST AND LOWERMOST TRAY)

ORIGINATED BY SANDY LIN DATE 2021-03-29 DRAWN BY RUAN WENJUN DATE 2021-03-29		TITLE 2X2 2.5 gigabit MagJack® WITH UPPER AND LOWER LED (8 Cores, Extended Temp.) PATENTED		PART NO. / DRAWING NO. 0879-2C2J-JE FILE NAME 0879-2C2J-JE_2.DWG		STANDARD DIM. TOL. IN INCH .X .XX .XXX		[] METRIC DIM. AS REF. UNIT : INCH [mm] SCALE : N/A		±0.005 SIZE : A4	
				REV. : 2		PAGE : 6		 a bel group			

This document is electronically generated. This is a controlled copy if used internally