

## MIL-DTL-83526 CERTIFIED

Cinch Connectivity Solutions – Mil-Junior

### The Cinch Advantage

Our military certified expanded beam connectors have been designed for use in the most demanding harsh environment applications including military tactical communications, outside broadcast, petrochemical plant, mining, and offshore systems. The connectors are terminated using an epoxy-polish ferrule termination process with standard fiber optic termination tools and equipment. The terminated ferrules are simply inserted into the expanded beam housing and fixed in place via a spring and cover-plate. Ferrule alignment to the lenses is achieved automatically by the unique optical arrangement developed and patented by Cinch-Fibreco.

In the event of the connector suffering severe damage in use, the connector design enables replacement of the expanded beam insert, connector front body and grip ring without the need to re-terminate the fibers. Typically, an expanded beam insert can be replaced within 30 minutes in field conditions.

The MIL-DTL-83526 Certified expanded beam connectors offer high performance, flexibility and cost effectiveness, combined with a simple termination process allowing rapid in-field termination and repair.

### Features

- MIL-DTL-83526/20 /21 QPL
- German Defence Standard VG 95319-100 & 102
- Singlemode & multimode options
- Field terminable using standard termination tools & equipment
- Field repairable: EB insert & shell parts replaceable / re-useable
- 2 & 4 channel plugs and bulkhead receptacles
- Low insertion loss / high return loss
- Cage Code - 71785



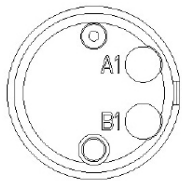
# Outline Specification

## MIL-DTL-83526 Expanded Beam Connector

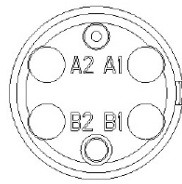
Insertion Loss	Singlemode	-2.5dB (typical -1.5dB)*
	Multimode	-2.0dB (typical -1.0dB)*
Return Loss	≥35dB (typical 40dB) singlemode	
Durability	3000 Matings minimum	
Operating Temperature	-46°C to +71°C	
Storage Temperature	-57°C to +85°C	
Water Immersion	15m for 24 hours (Plug & Bulkhead; mated & open-face)	
Free Fall Resistance	500 Falls from 1.2m height	
Vibration/Shock	As per MIL-DTL-83526/20 /21	
Crush Resistance	6.7kN	
Corrosion Resistance	500 Hours Salt Spray	
Cable Retention	1800N (Cable Dependant)	
Weight (approx)	Plug: 120g Bulkhead: 110g	
Connector Shell Material / Color	Aluminium, Plug: black anodised Bulkhead: zinc cobalt Grip & boot: black, fluorosilicone	

\*performance is dependent on assembly & termination; figures relate to CCS terminated harnesses.

### Insert Arrangements

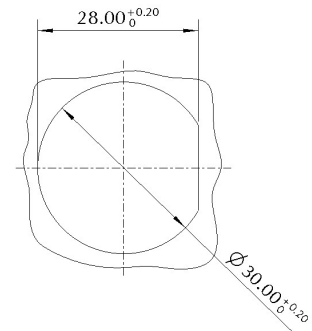


2410 - 2CH OPTICAL

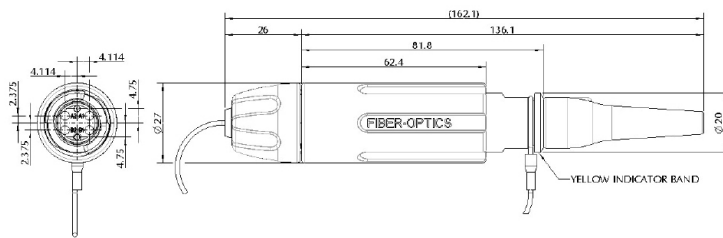


2411 - 4CH OPTICAL

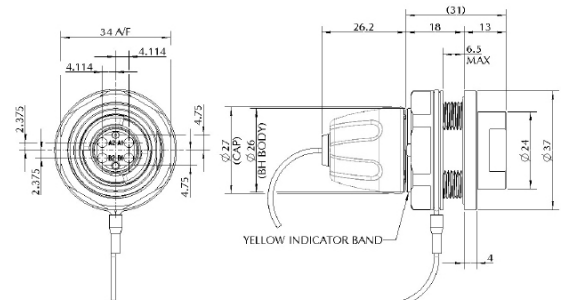
### Plug Cut-Out



### Plug Connector



### Bulkhead Connector



Cinch Connectivity Solutions reserves the right to change specifications without notice



Asia Pacific  
+86 21 5442 7668  
ccs.asia.sales@as.cinch.com

Europe, Middle East & Africa  
+44 (0) 1245 342060  
CinchConnectivity@eu.cinch.com

North America  
+1 507.833.8822  
ccsorders@us.cinch.com

[cinch.com](http://cinch.com)